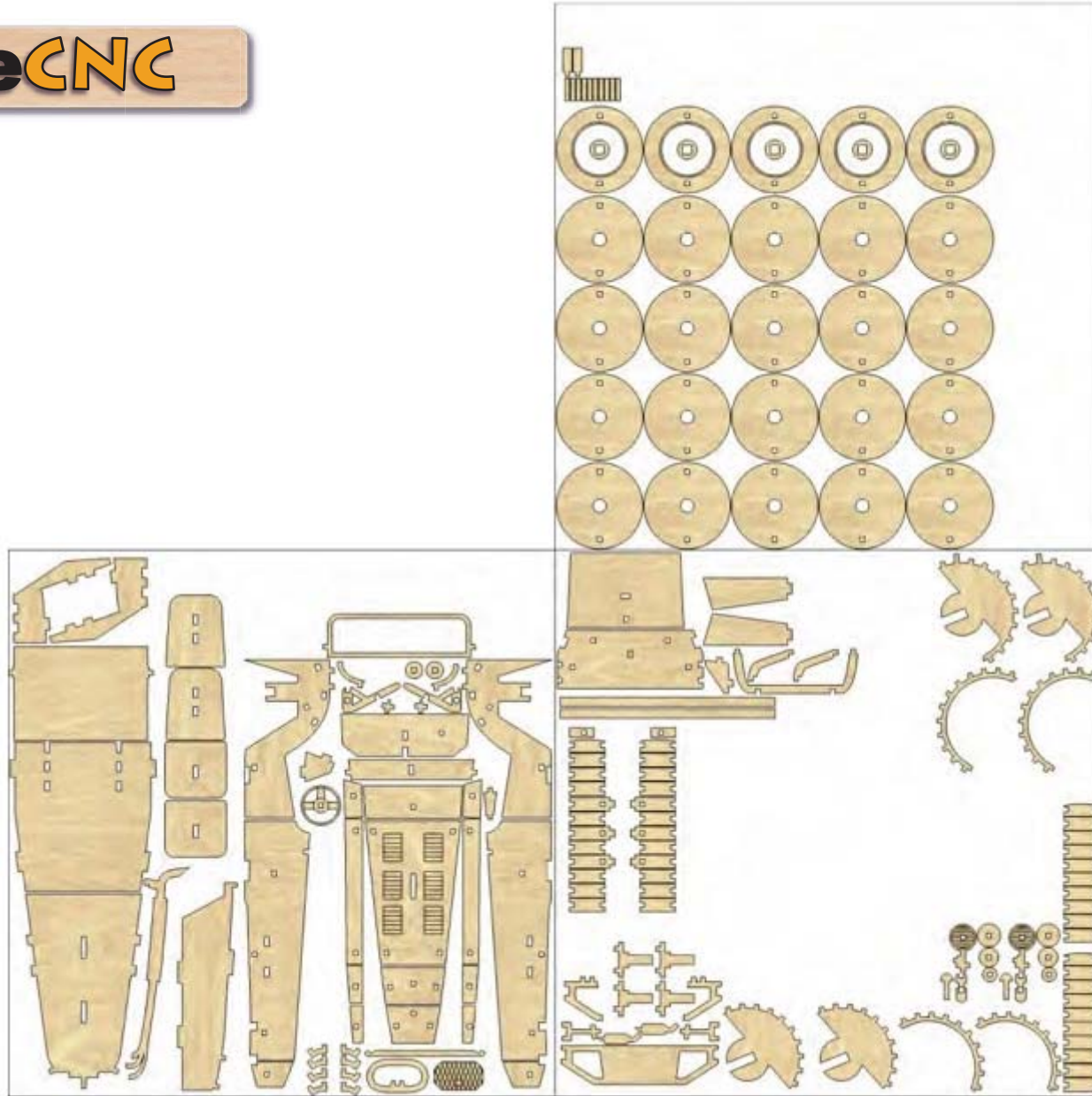
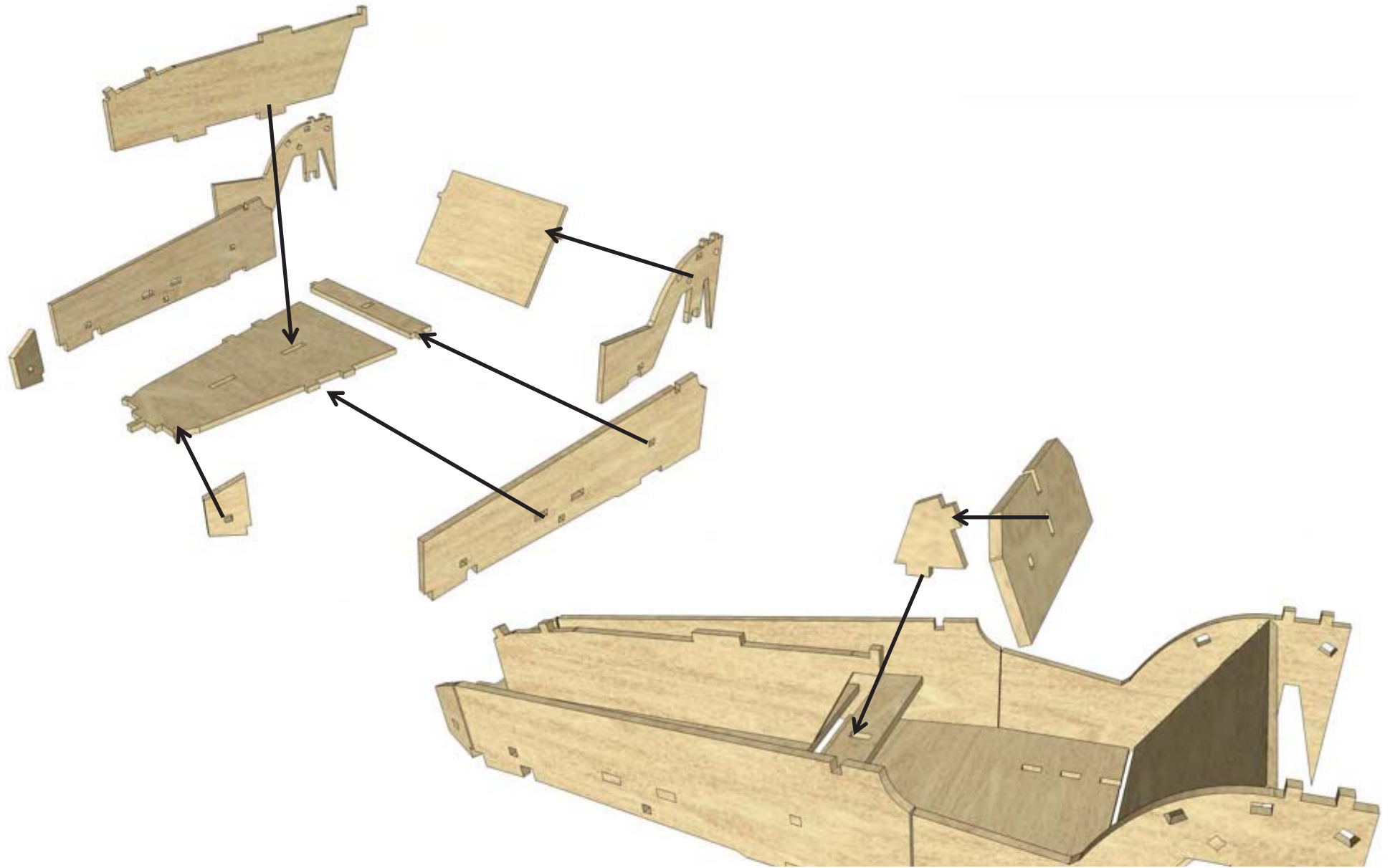


LOTUS 7

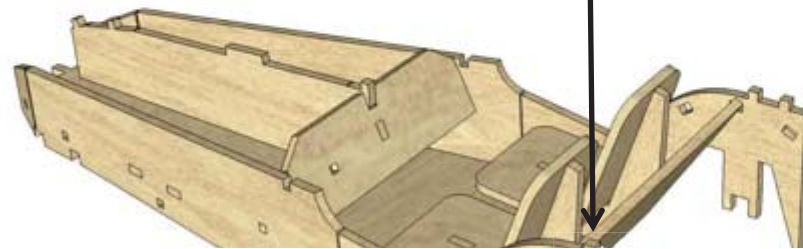
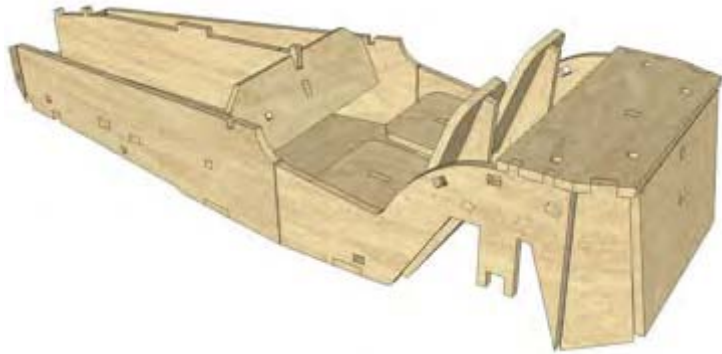
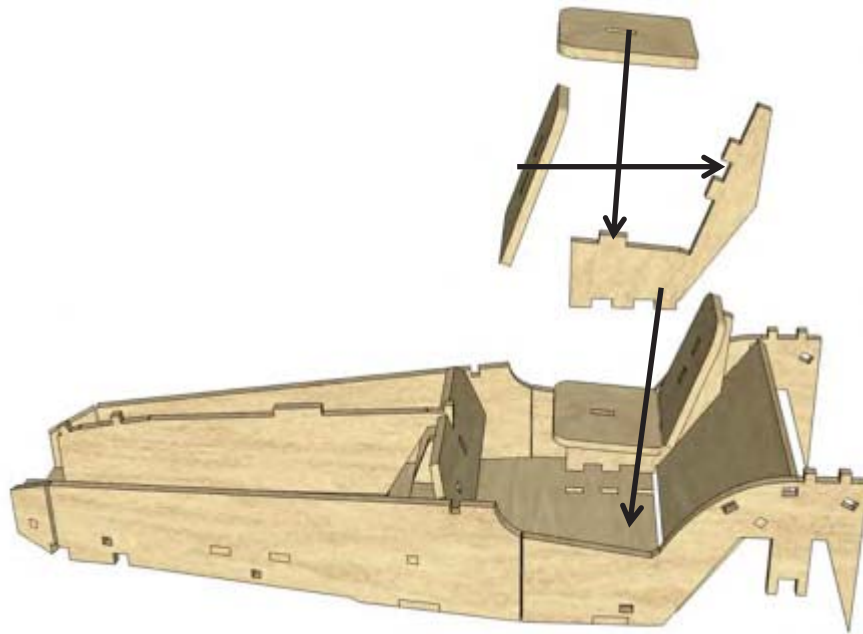
makeCNC



PARTS LIST



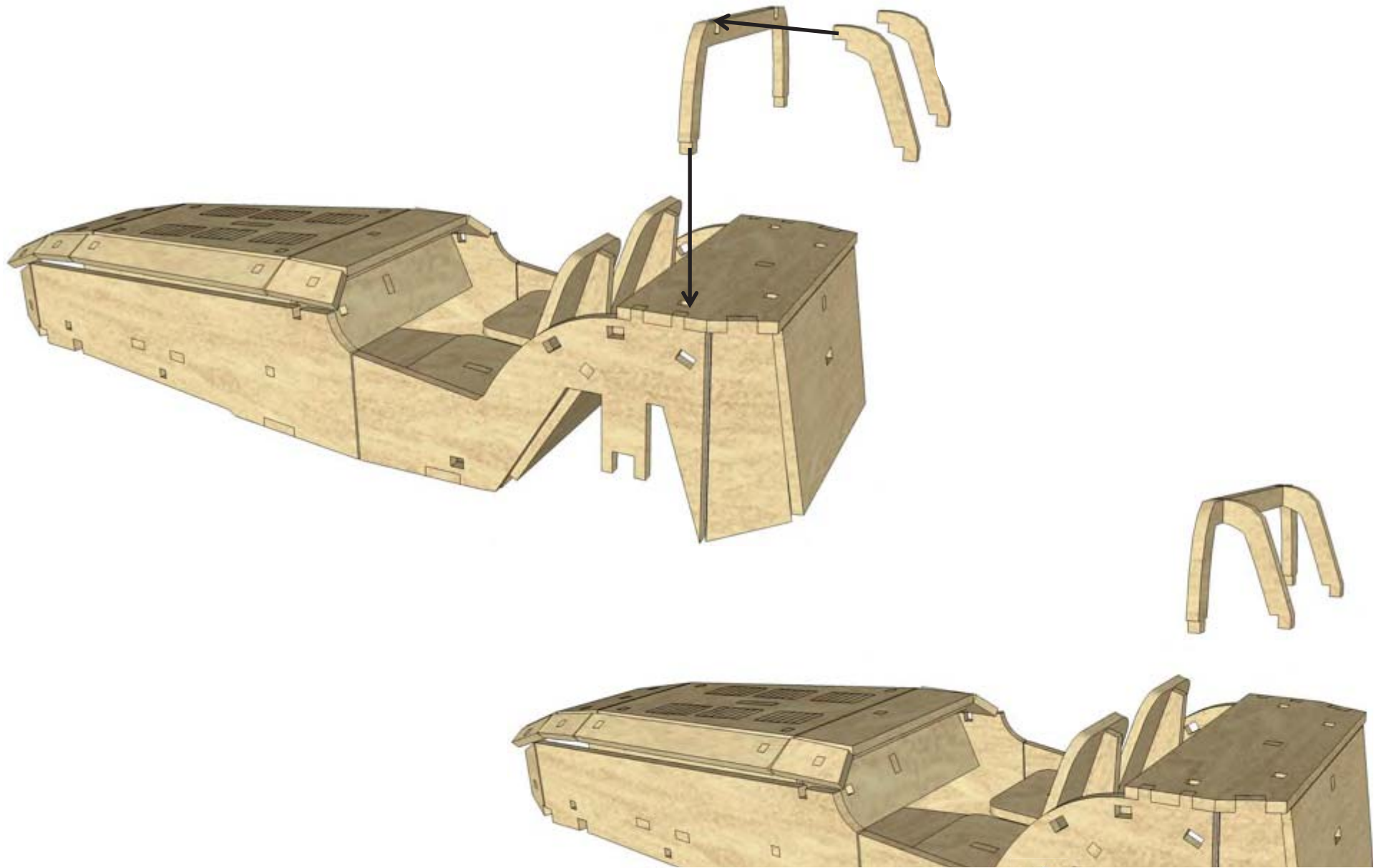
ASSEMBLY STEPS



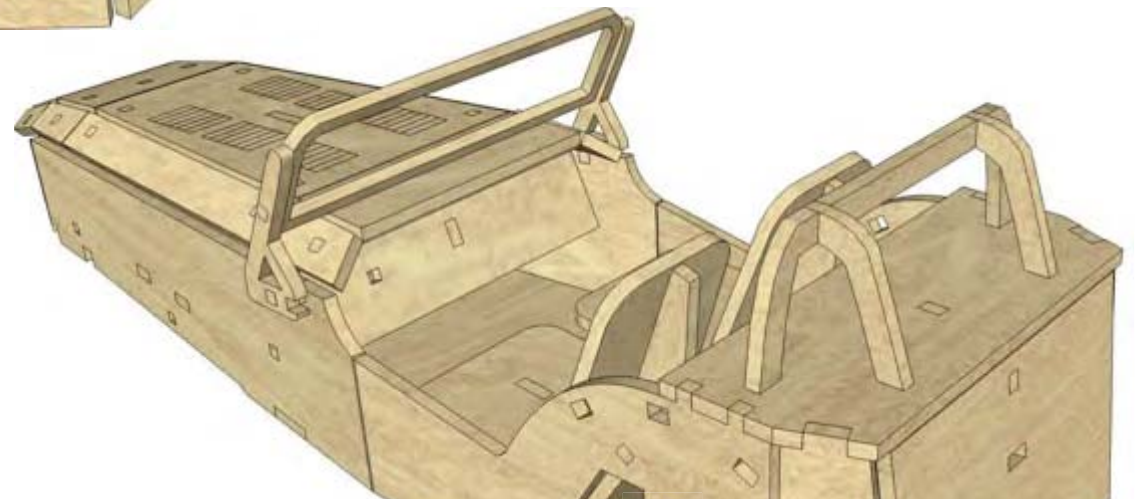
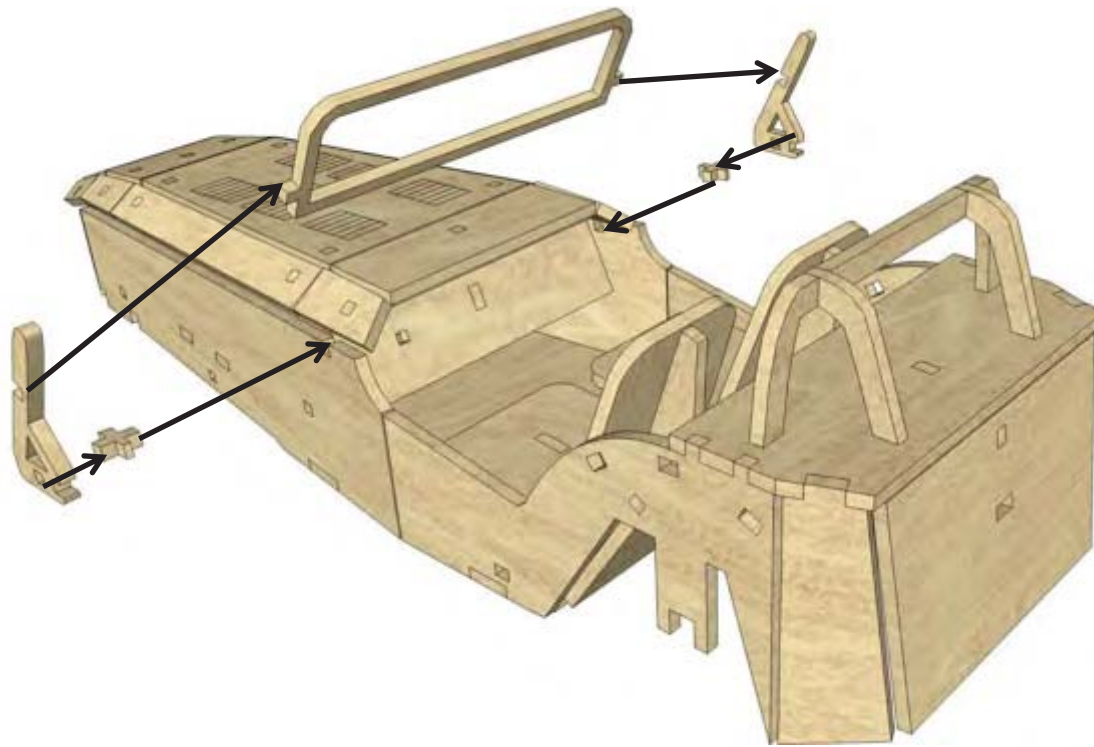
ASSEMBLY STEPS



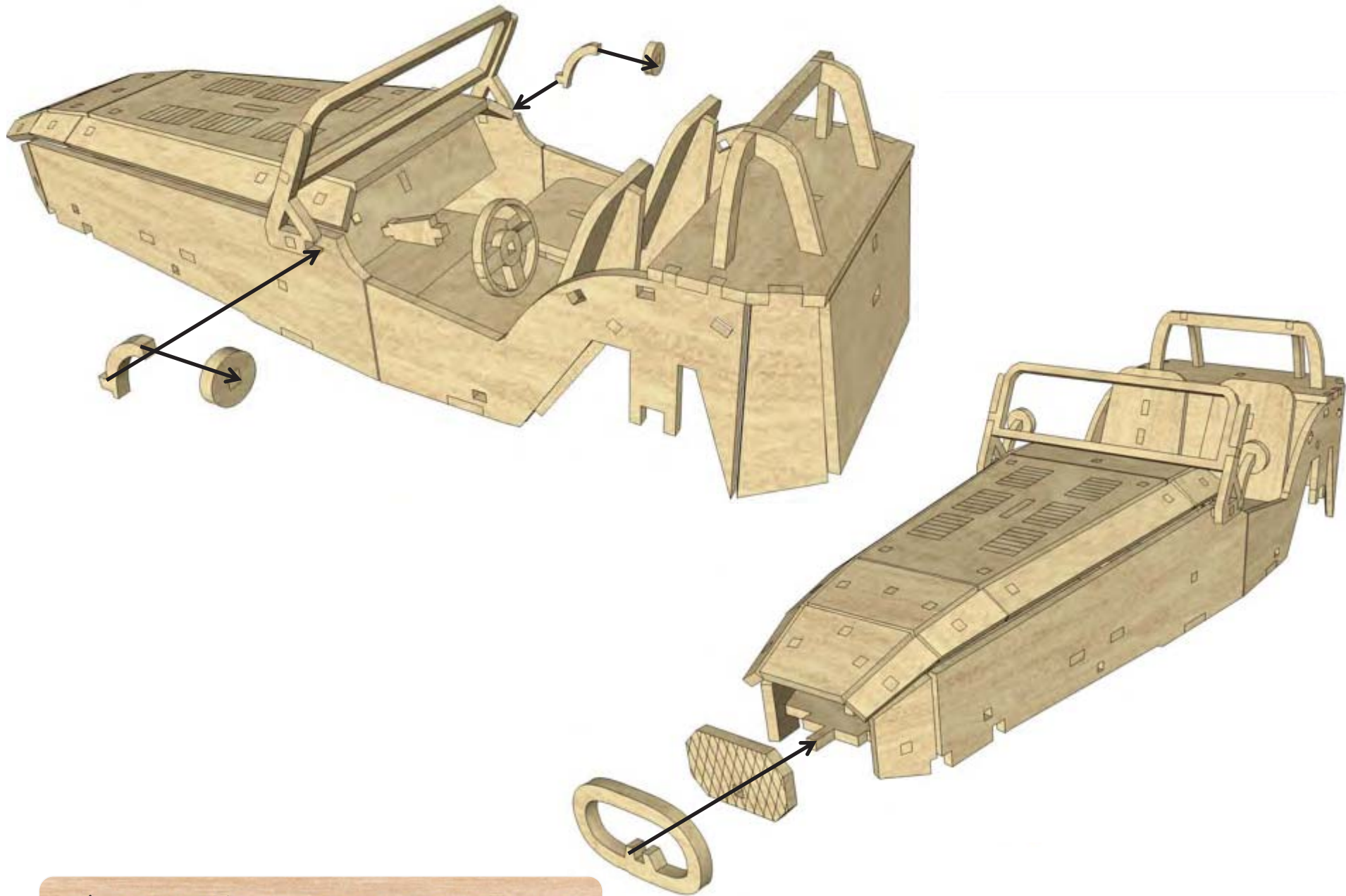
ASSEMBLY STEPS



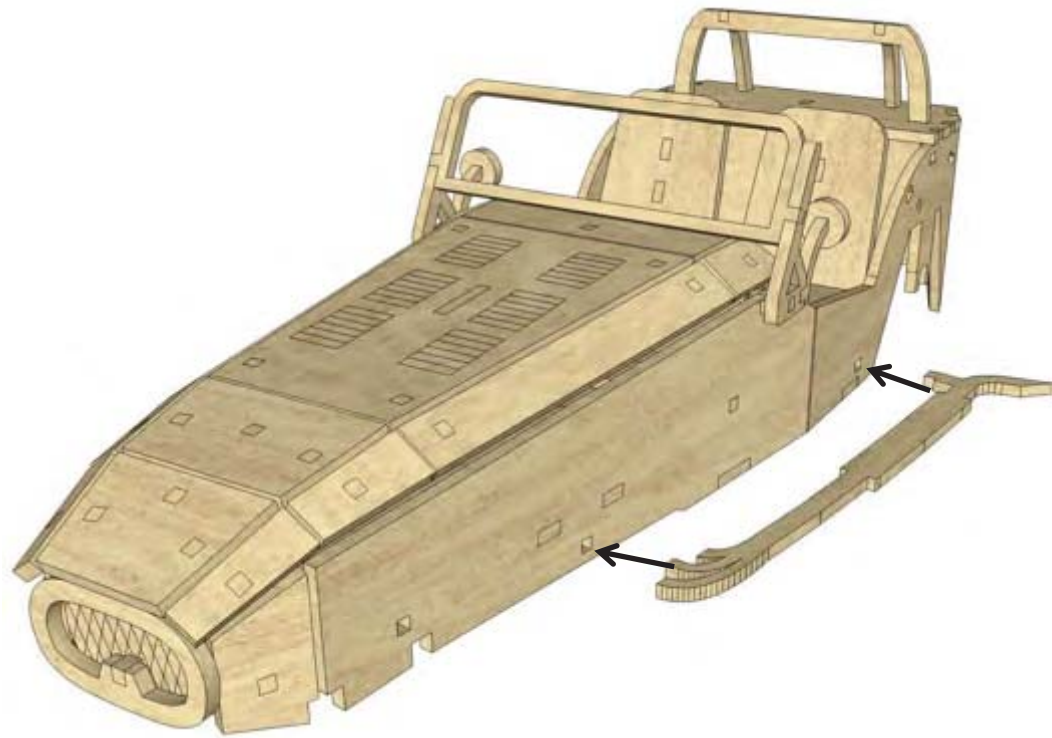
ASSEMBLY STEPS



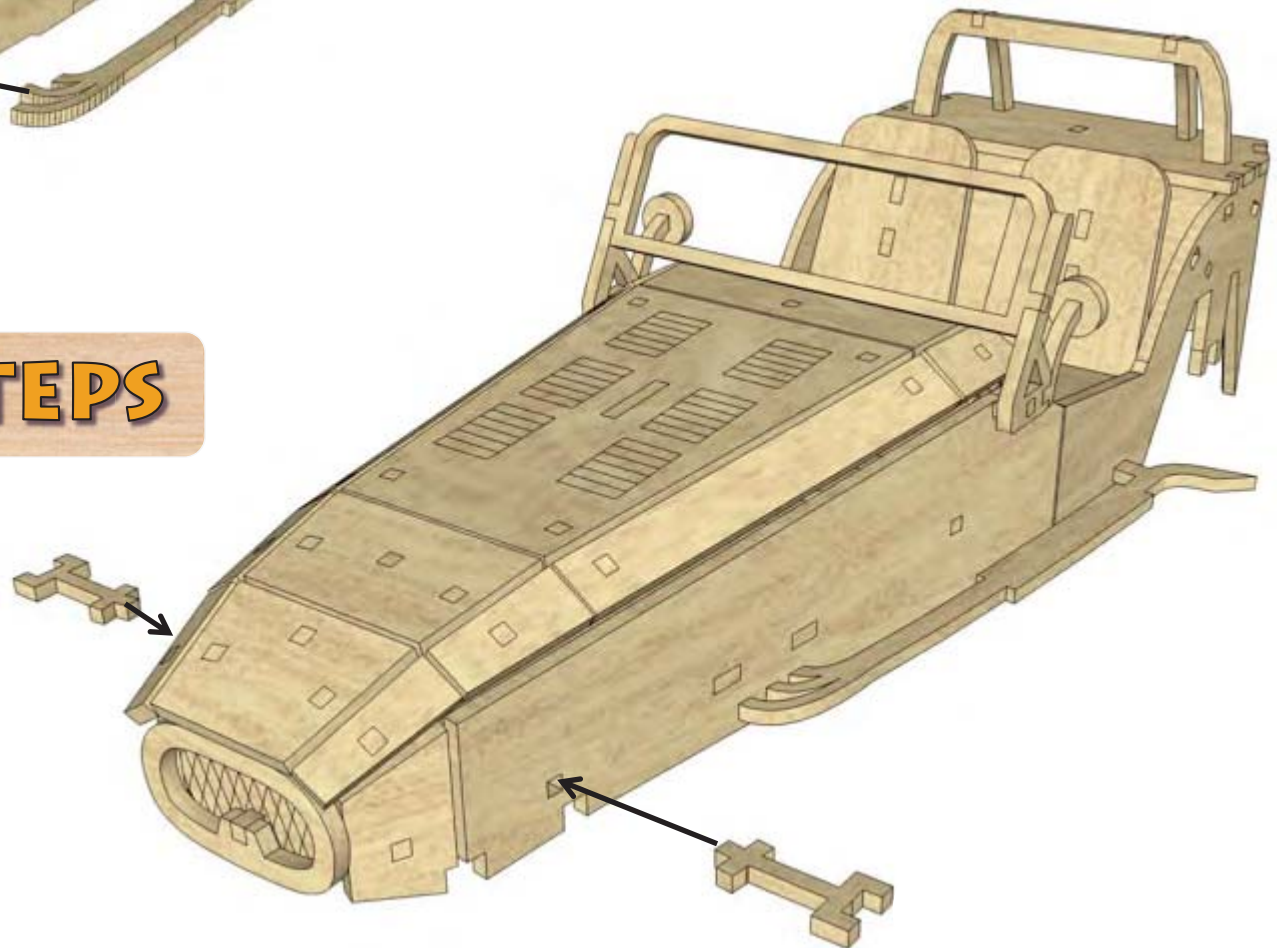
ASSEMBLY STEPS

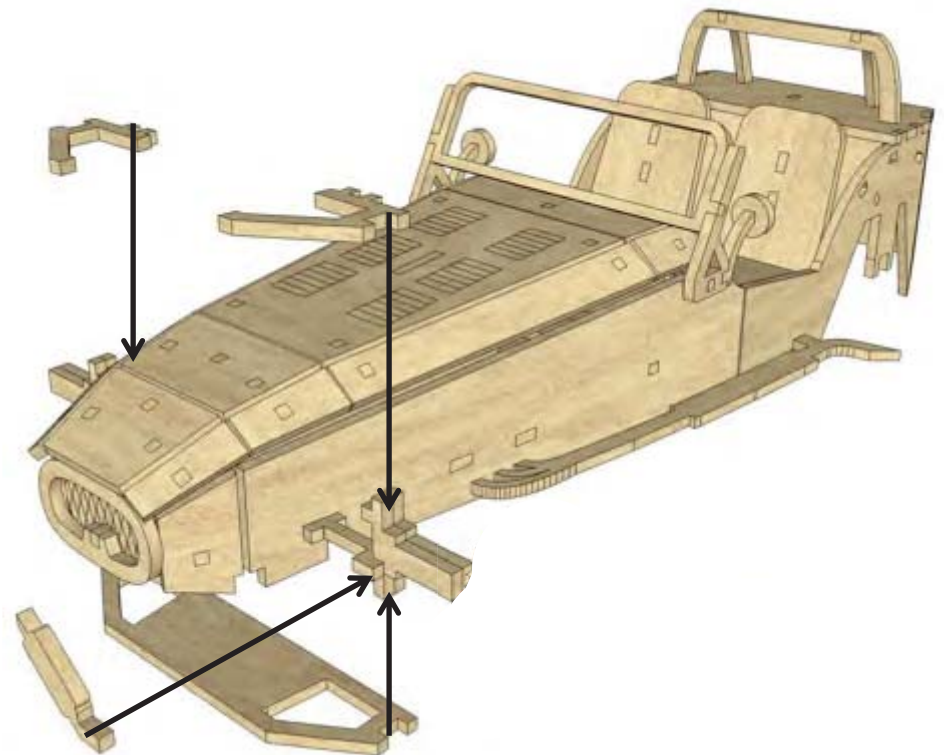
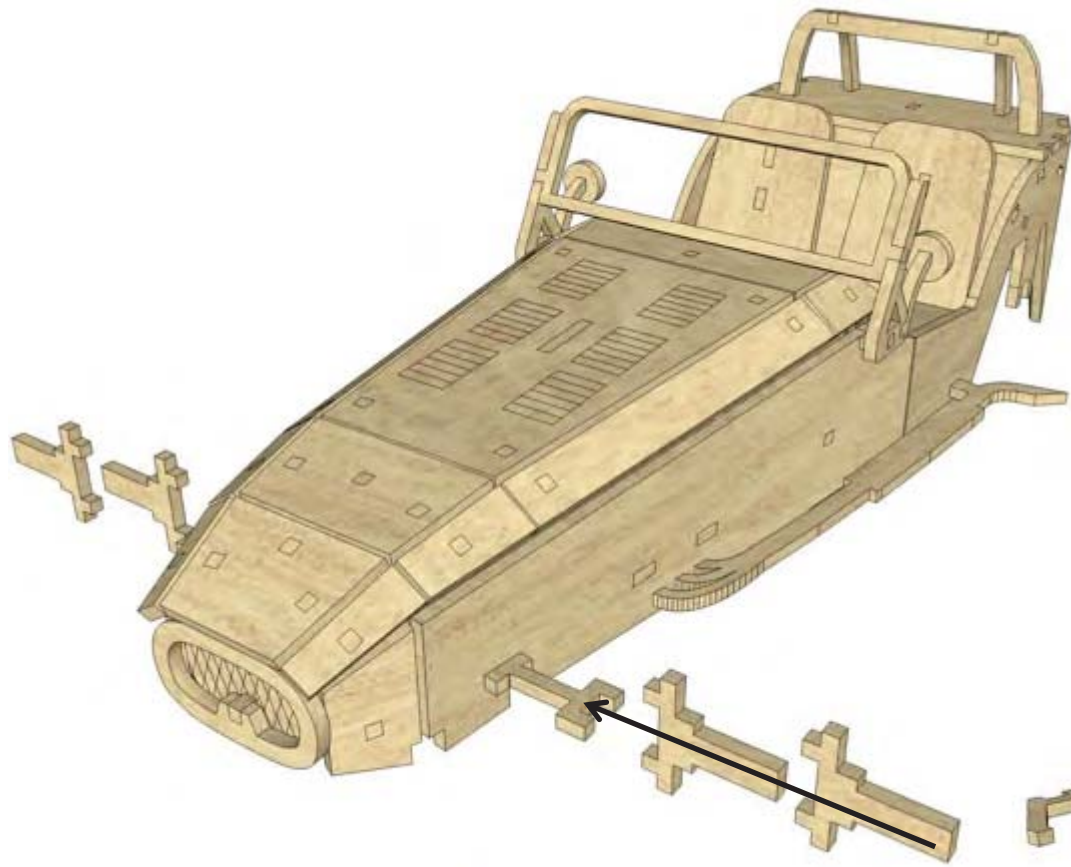


ASSEMBLY STEPS

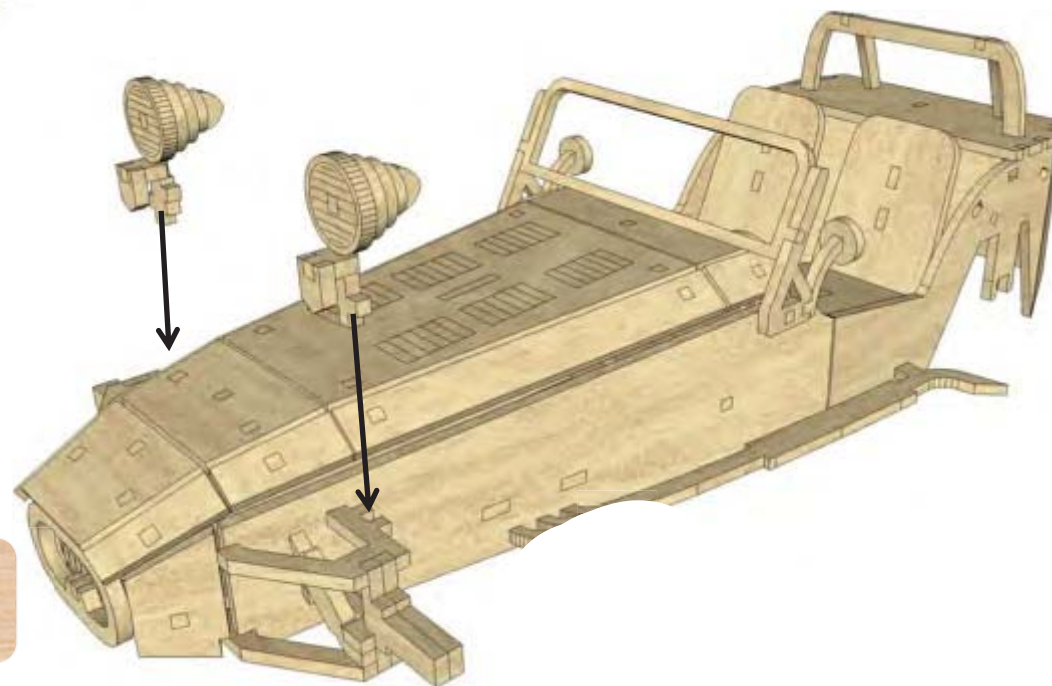
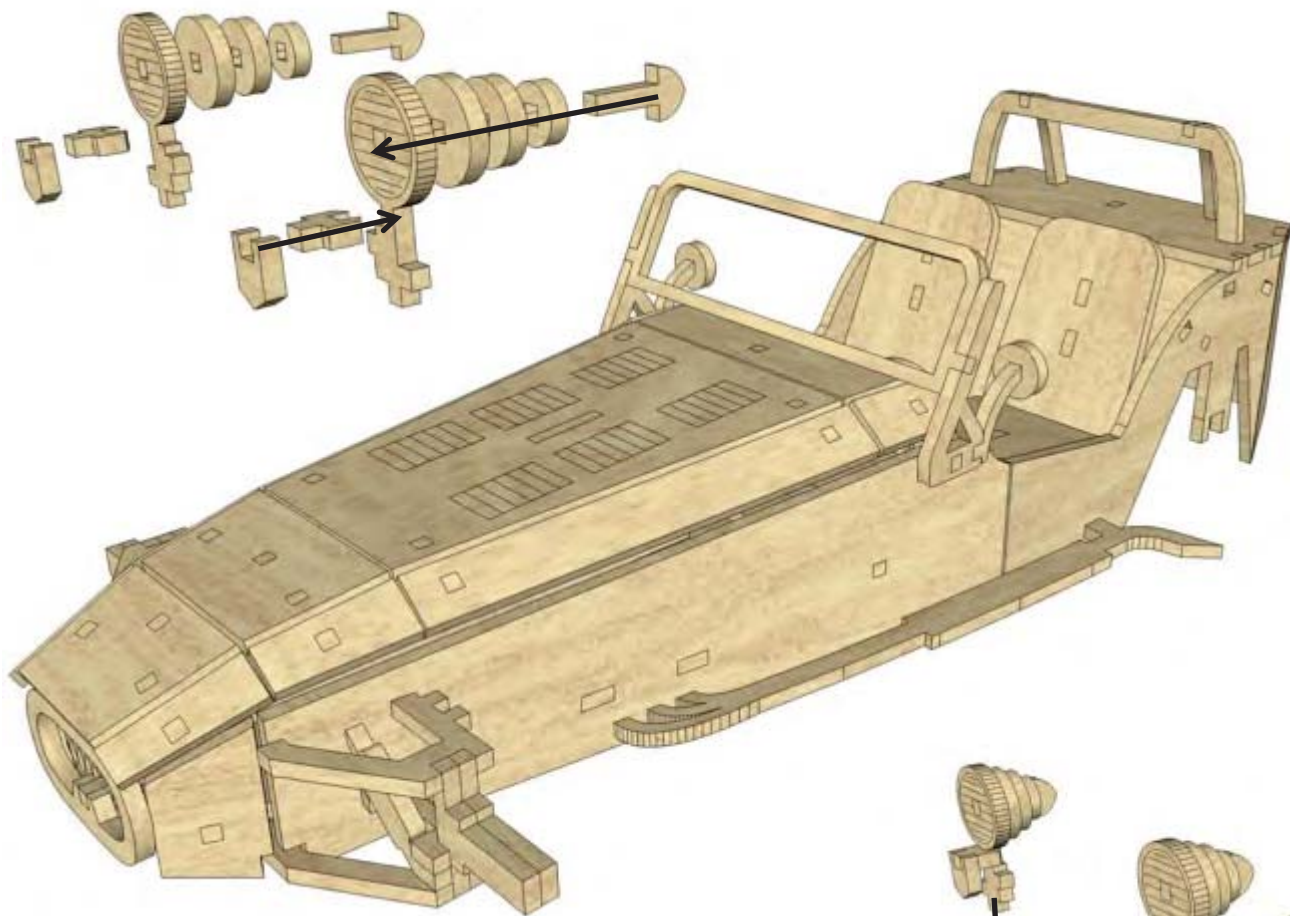


ASSEMBLY STEPS

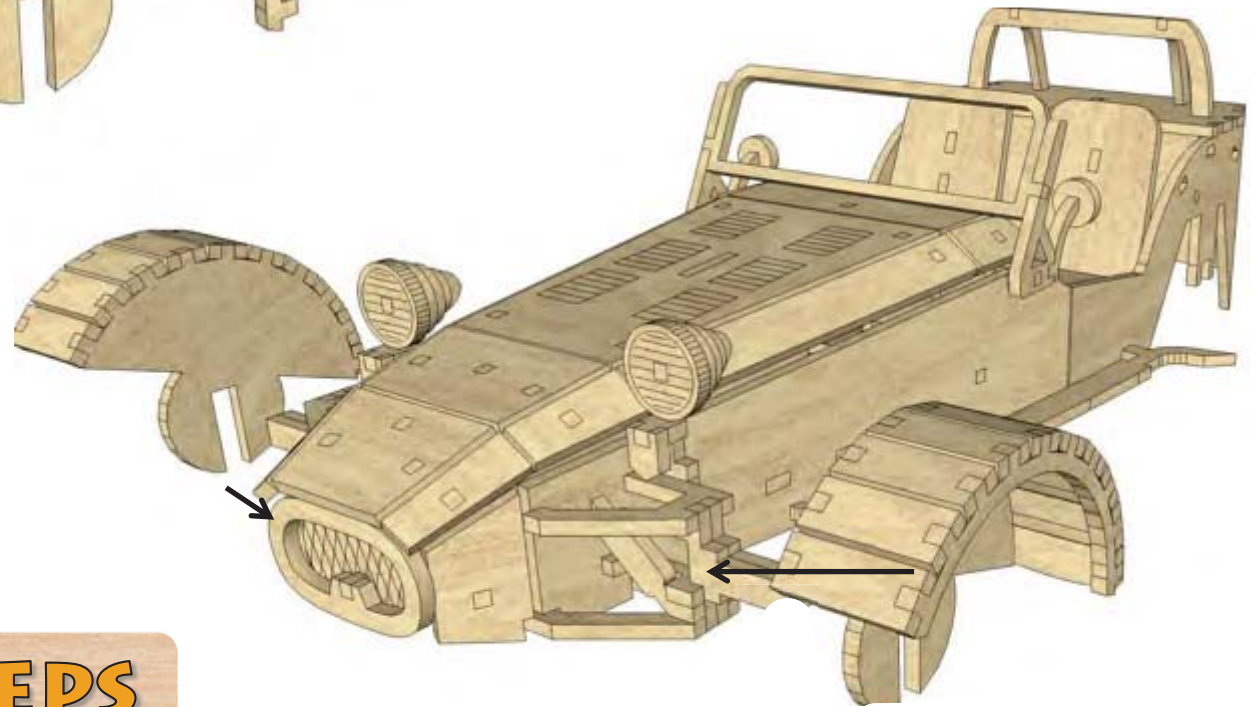
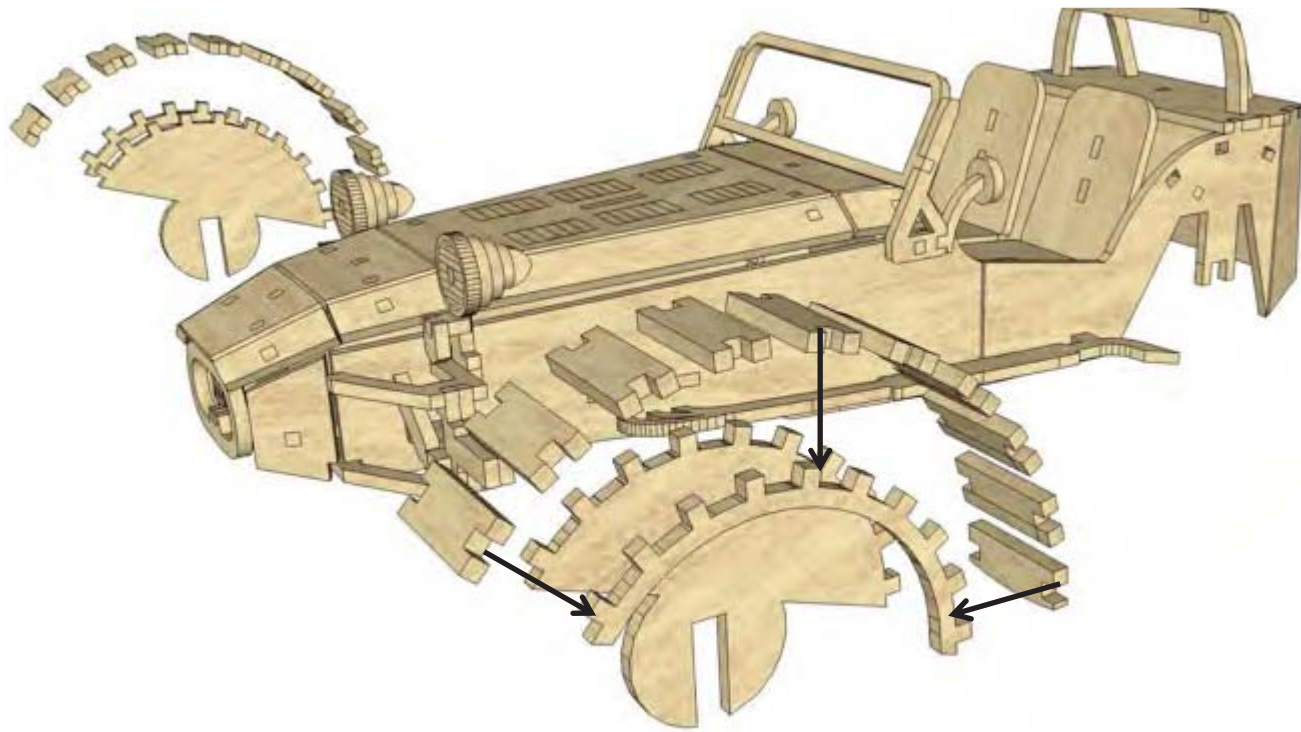




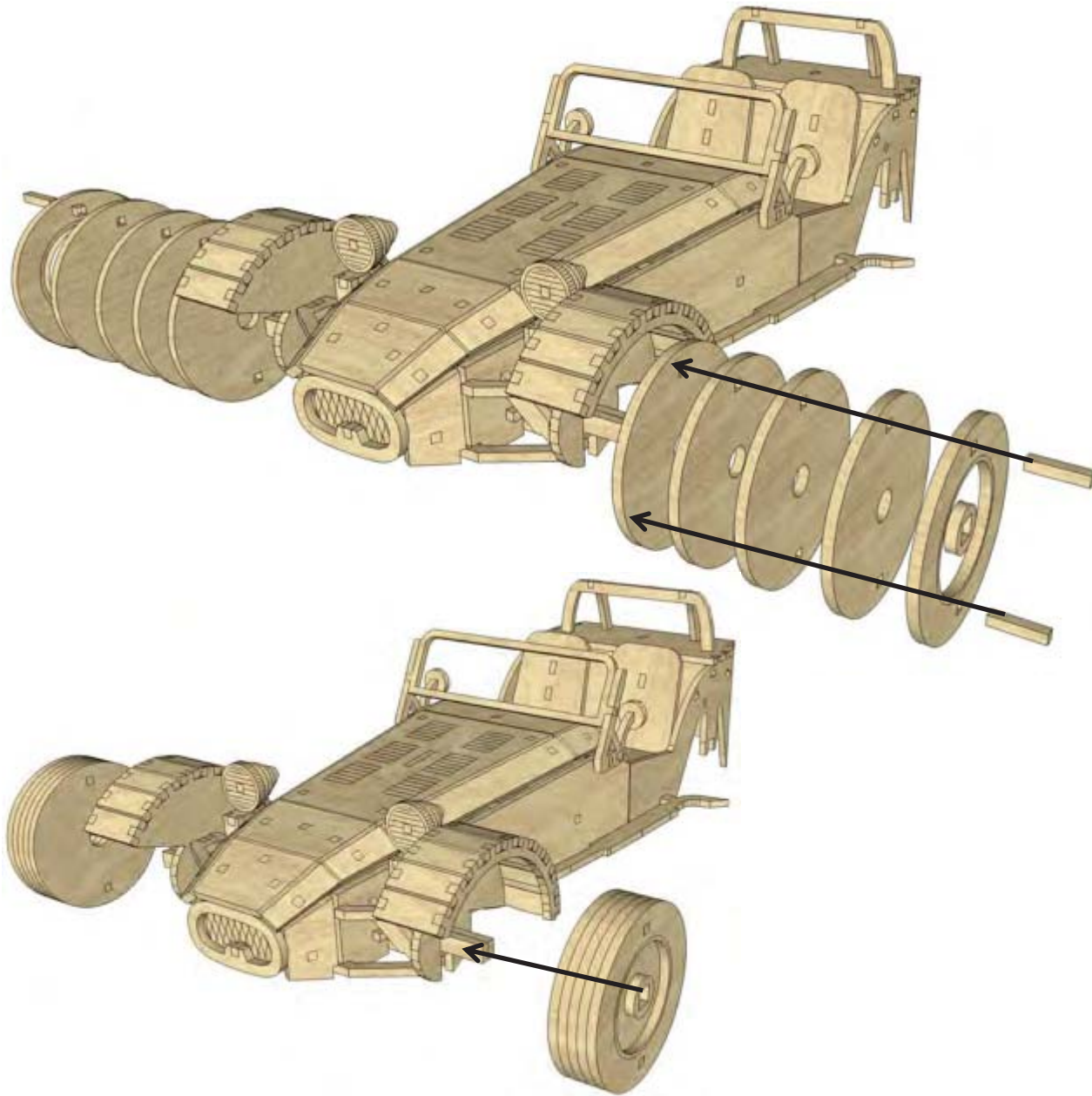
ASSEMBLY STEPS



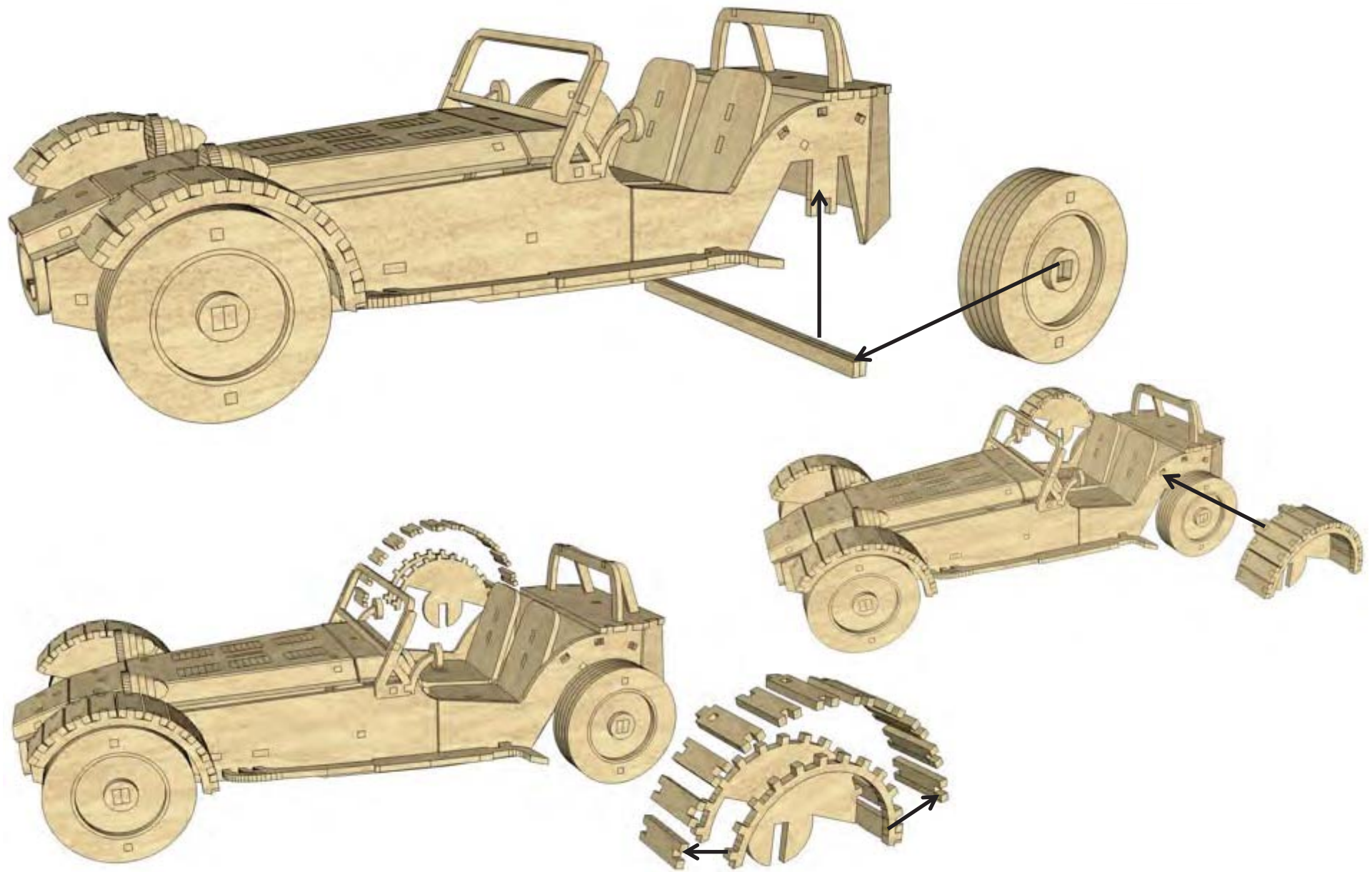
ASSEMBLY STEPS



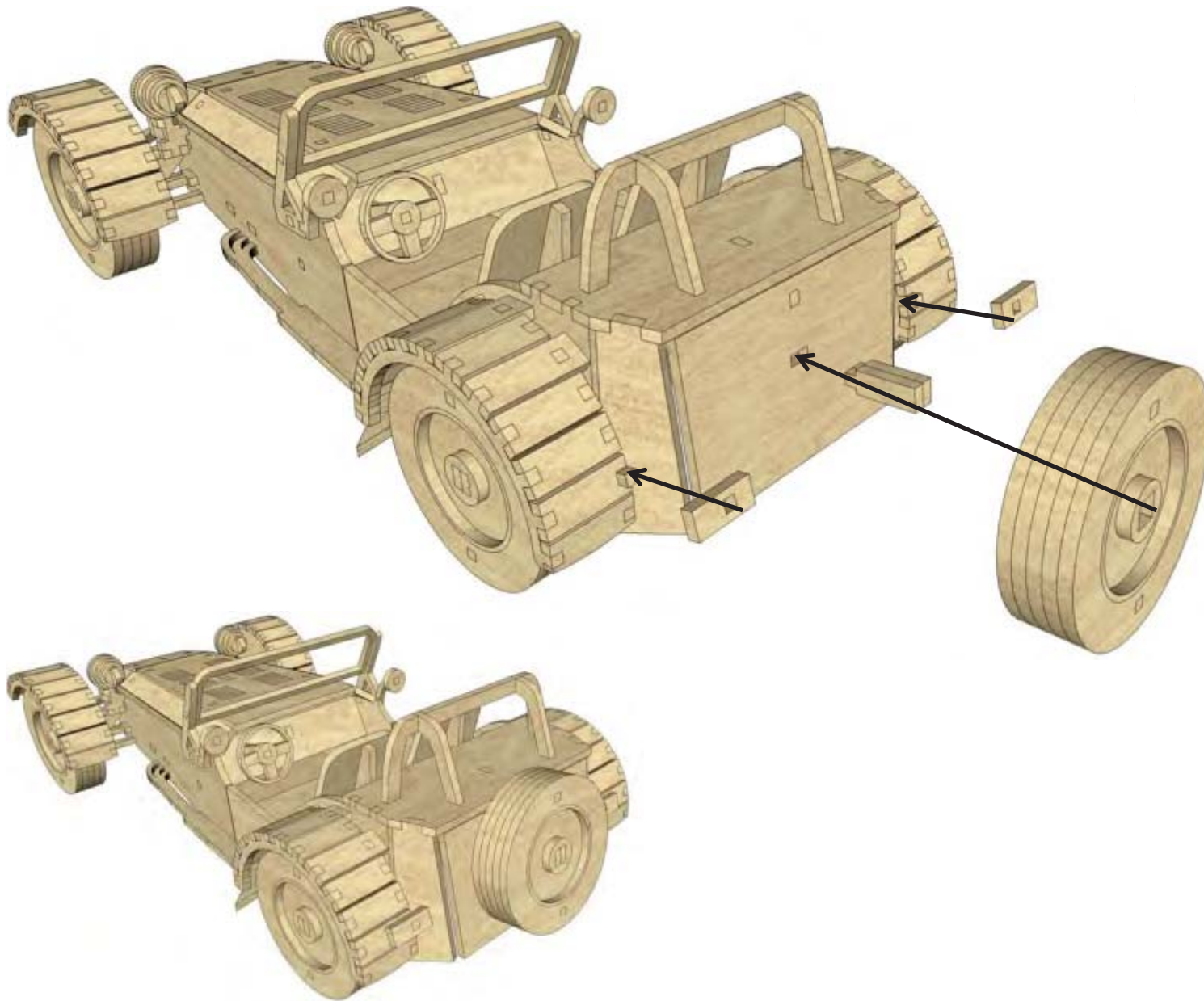
ASSEMBLY STEPS



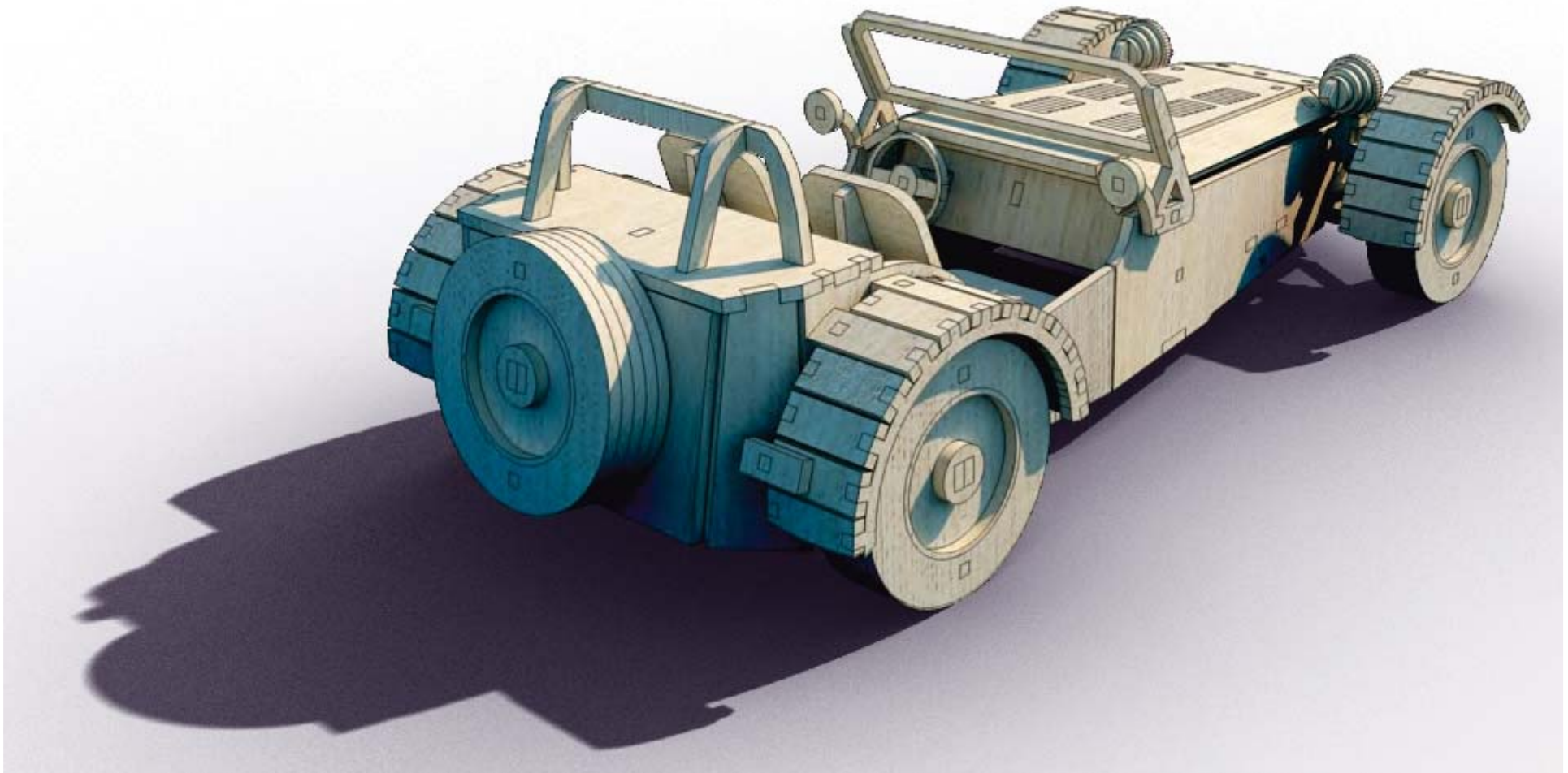
ASSEMBLY STEPS



ASSEMBLY STEPS



ASSEMBLY STEPS



COMPLETE