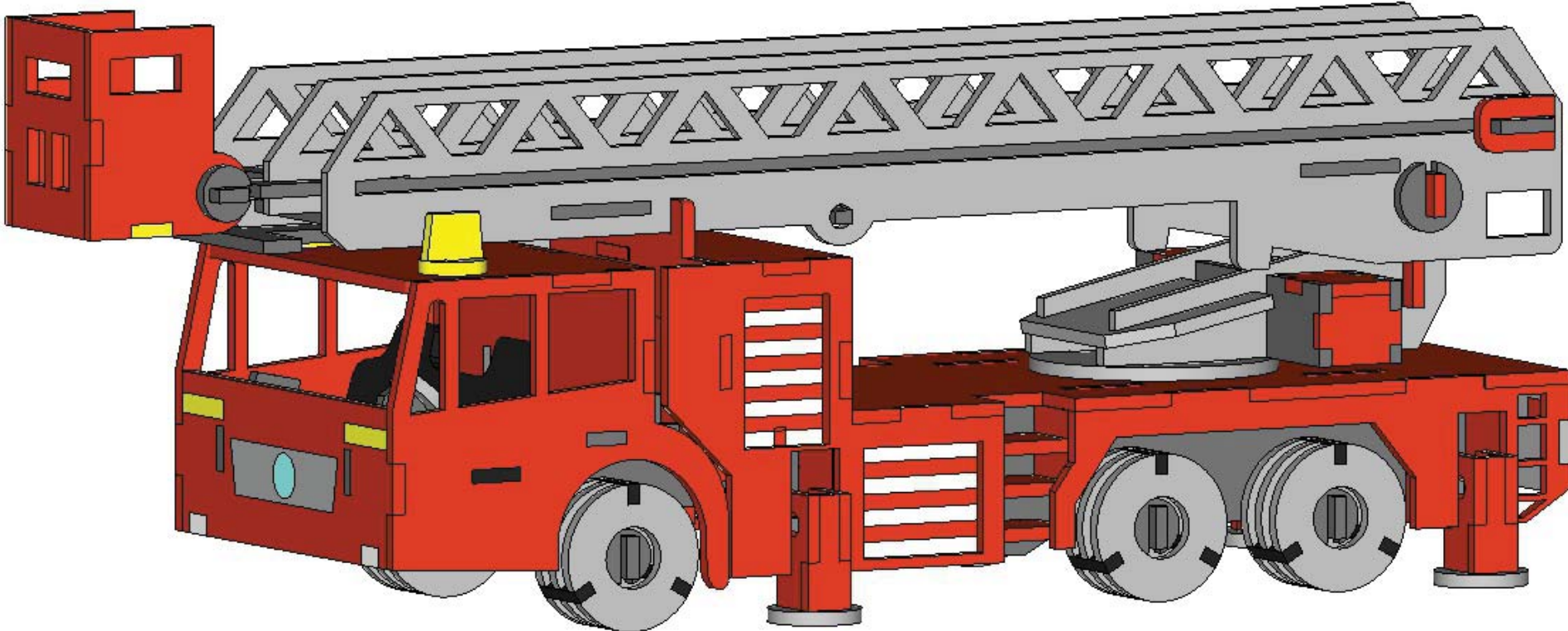
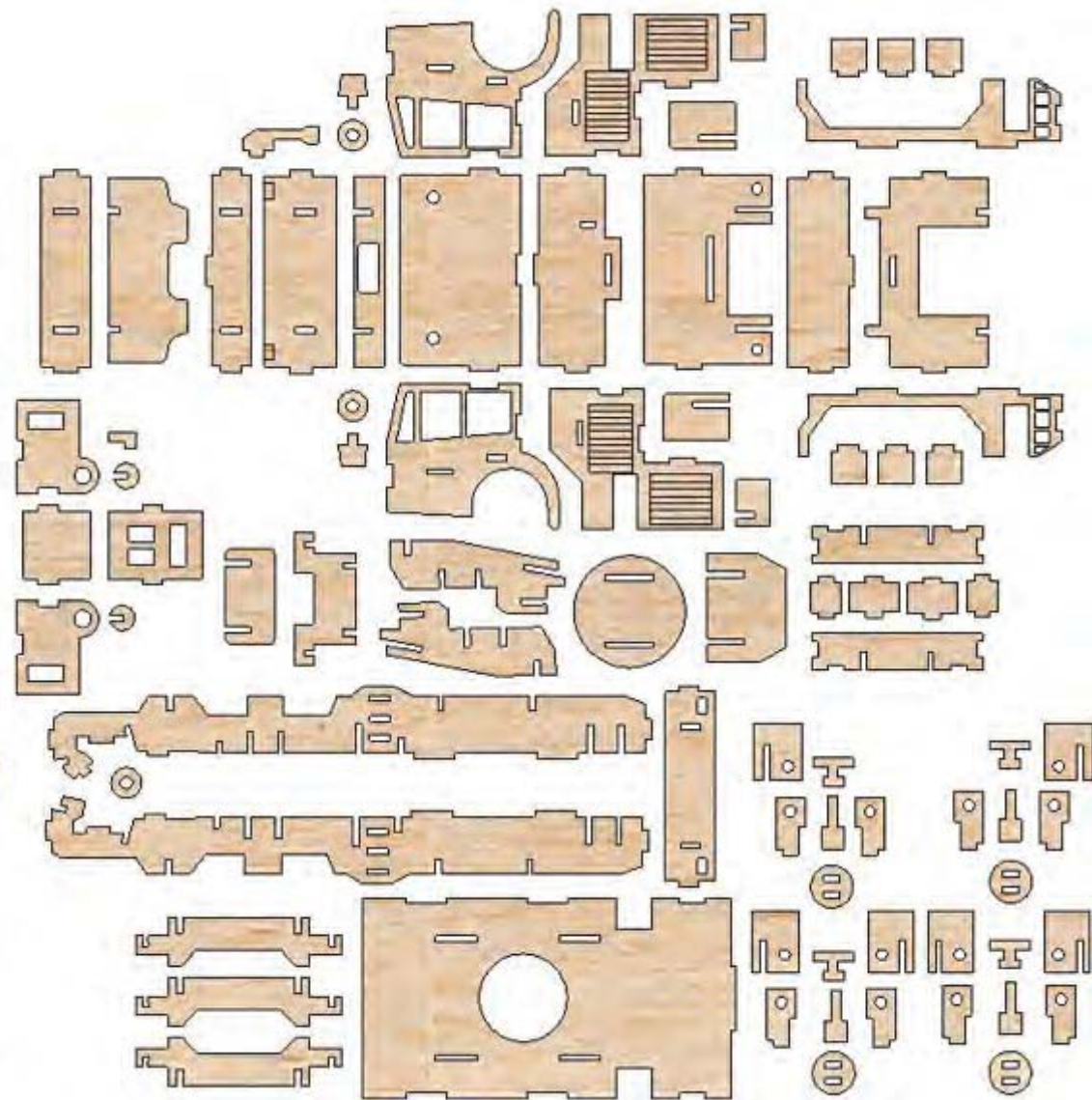
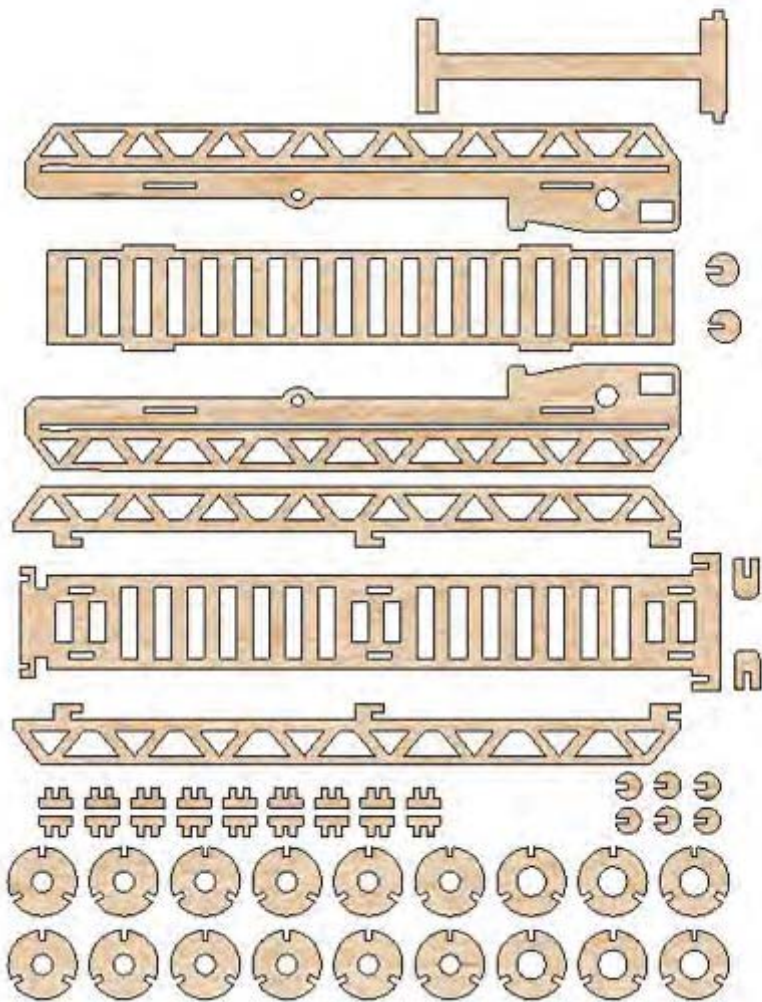
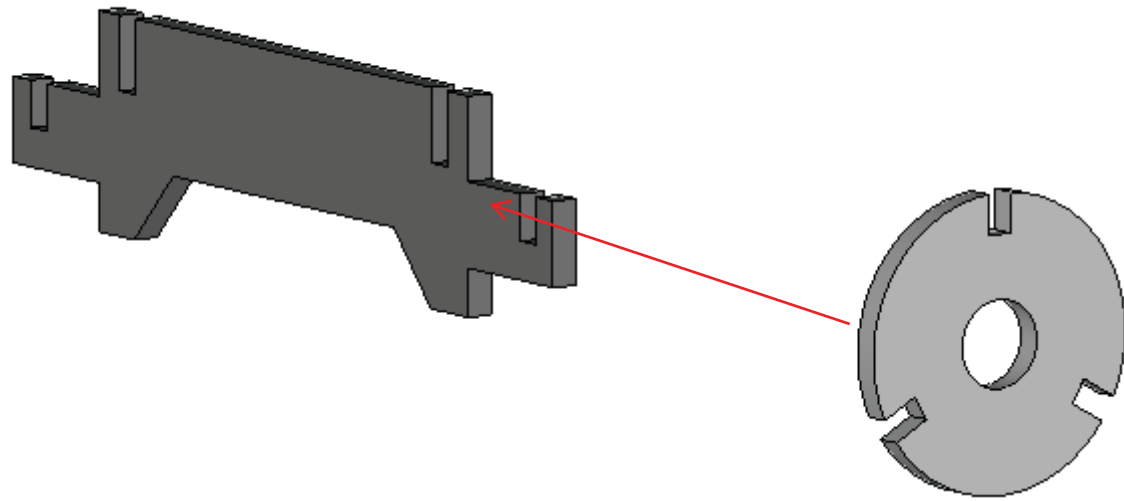


FIRE TRUCK

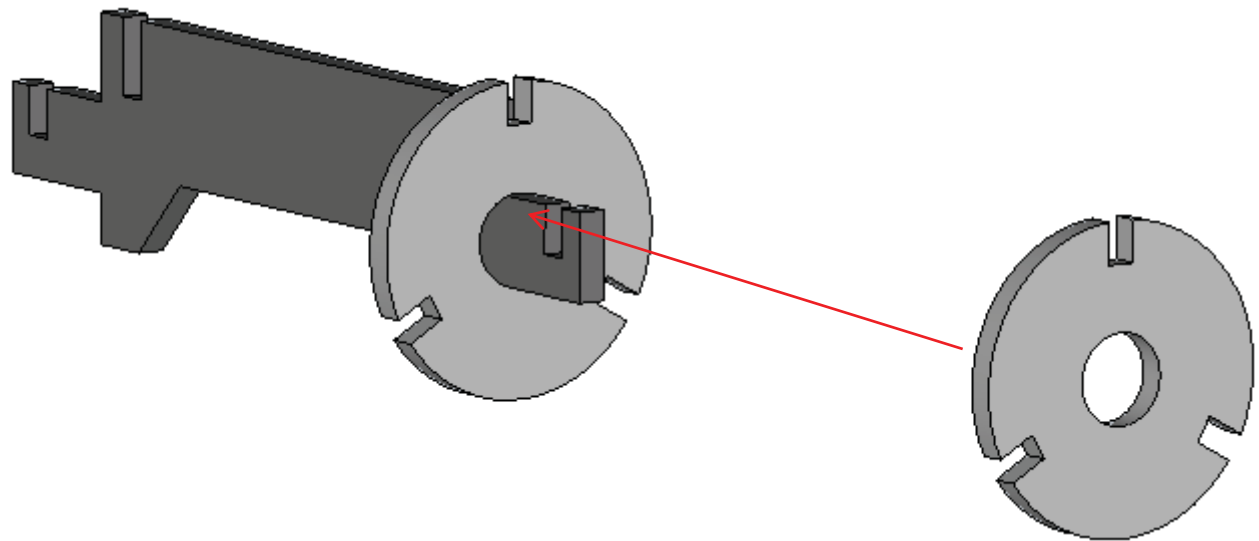




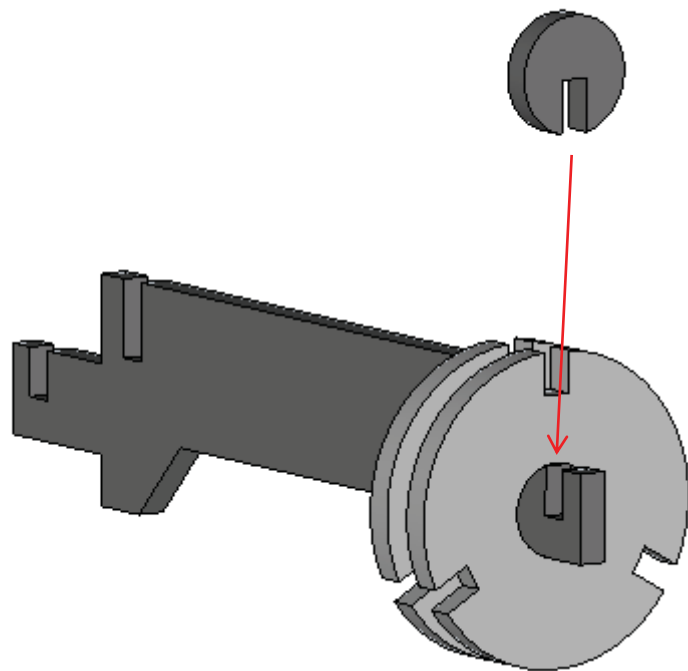
PARTS LIST



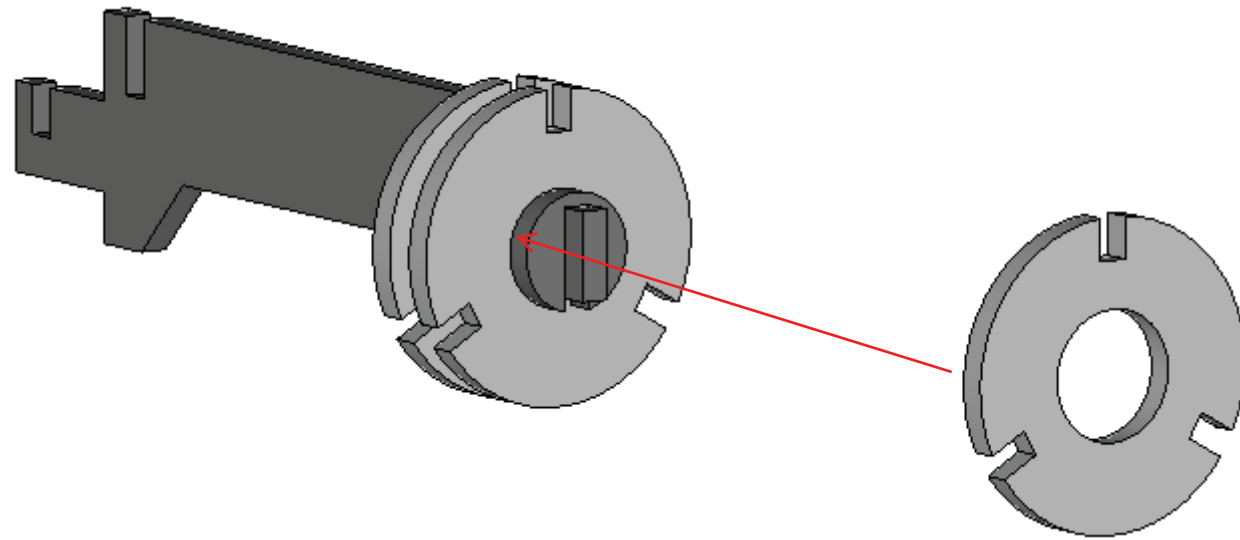
ASSEMBLY STEPS



ASSEMBLY STEPS

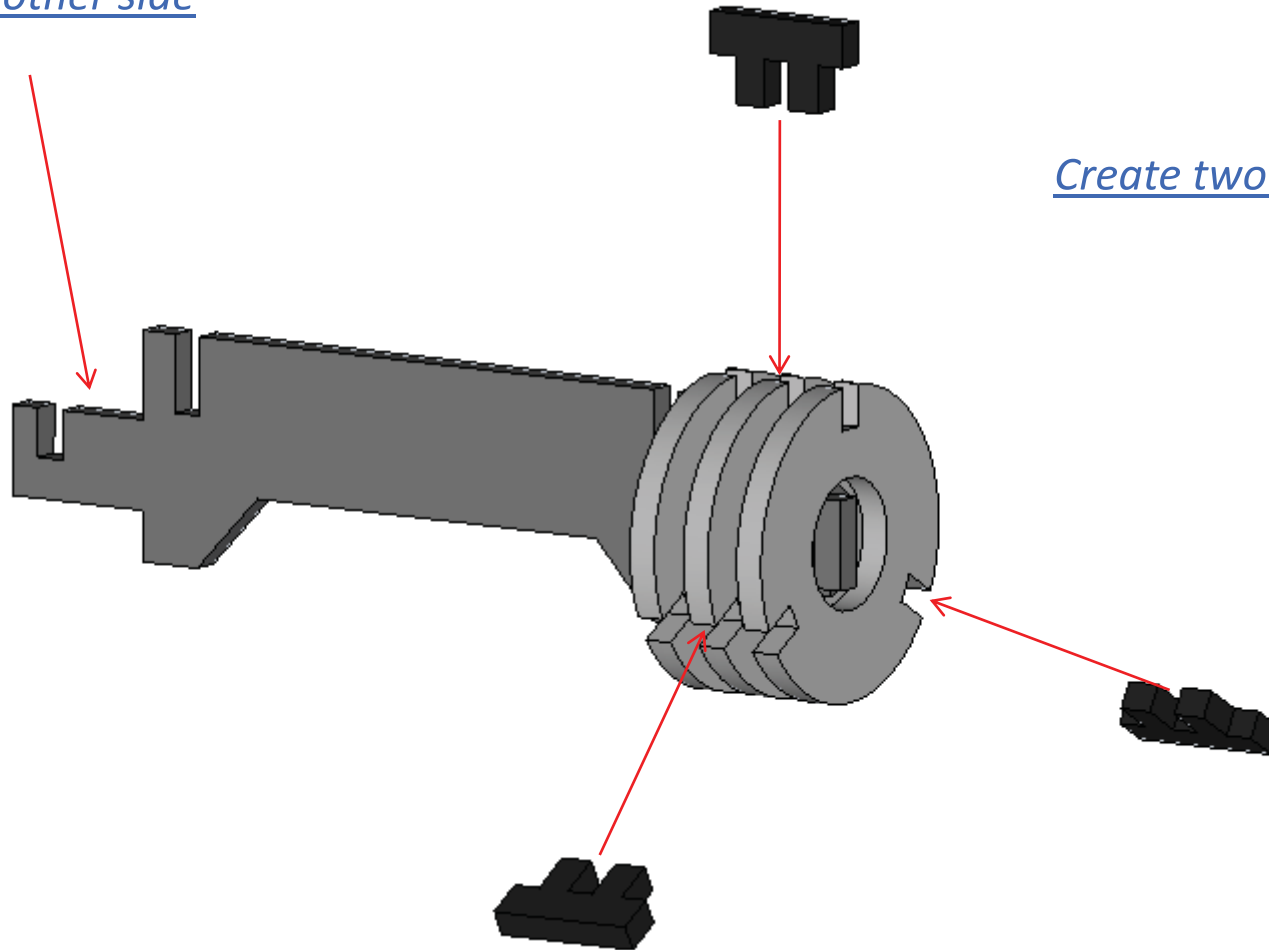


ASSEMBLY STEPS



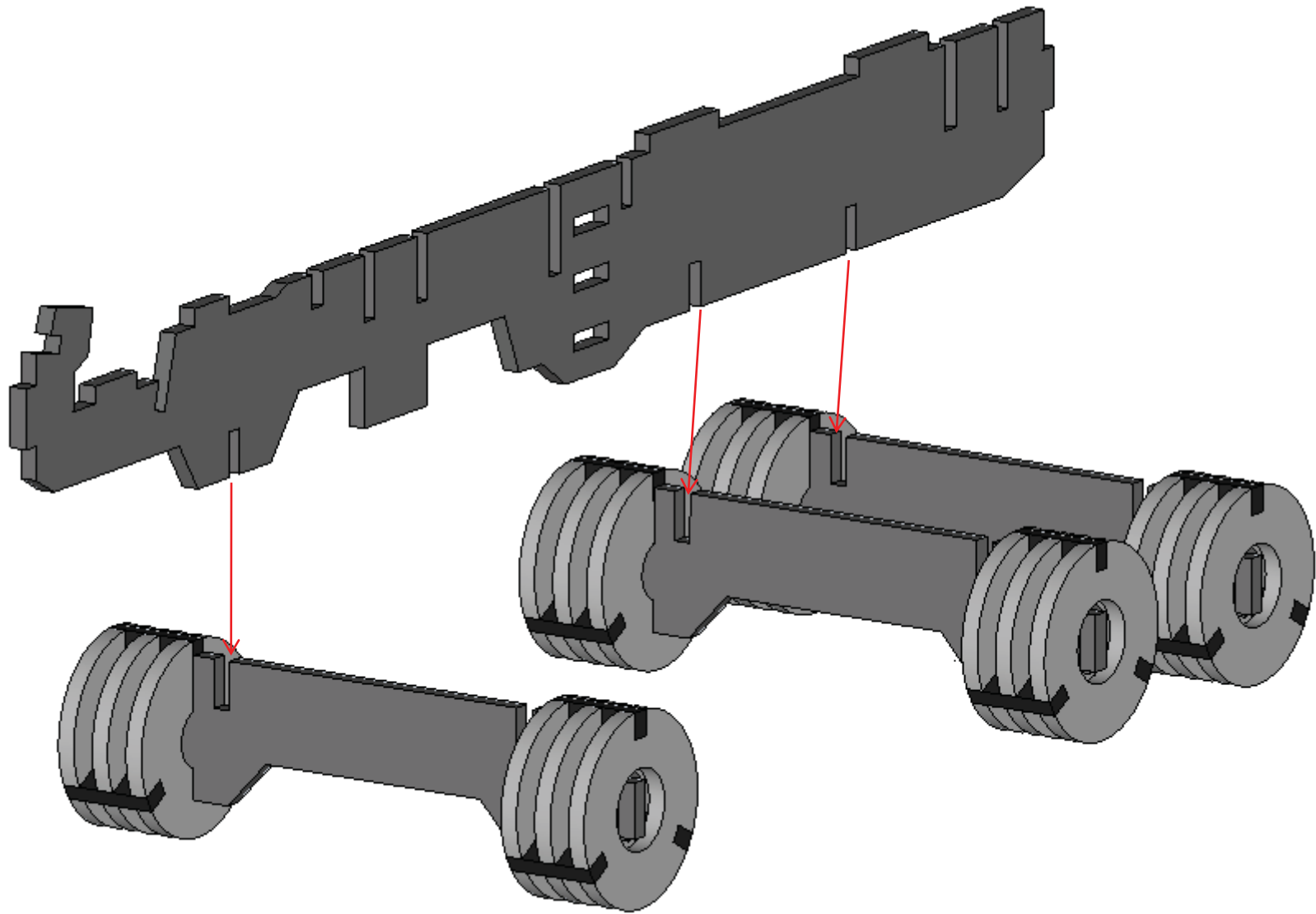
ASSEMBLY STEPS

Same on other side

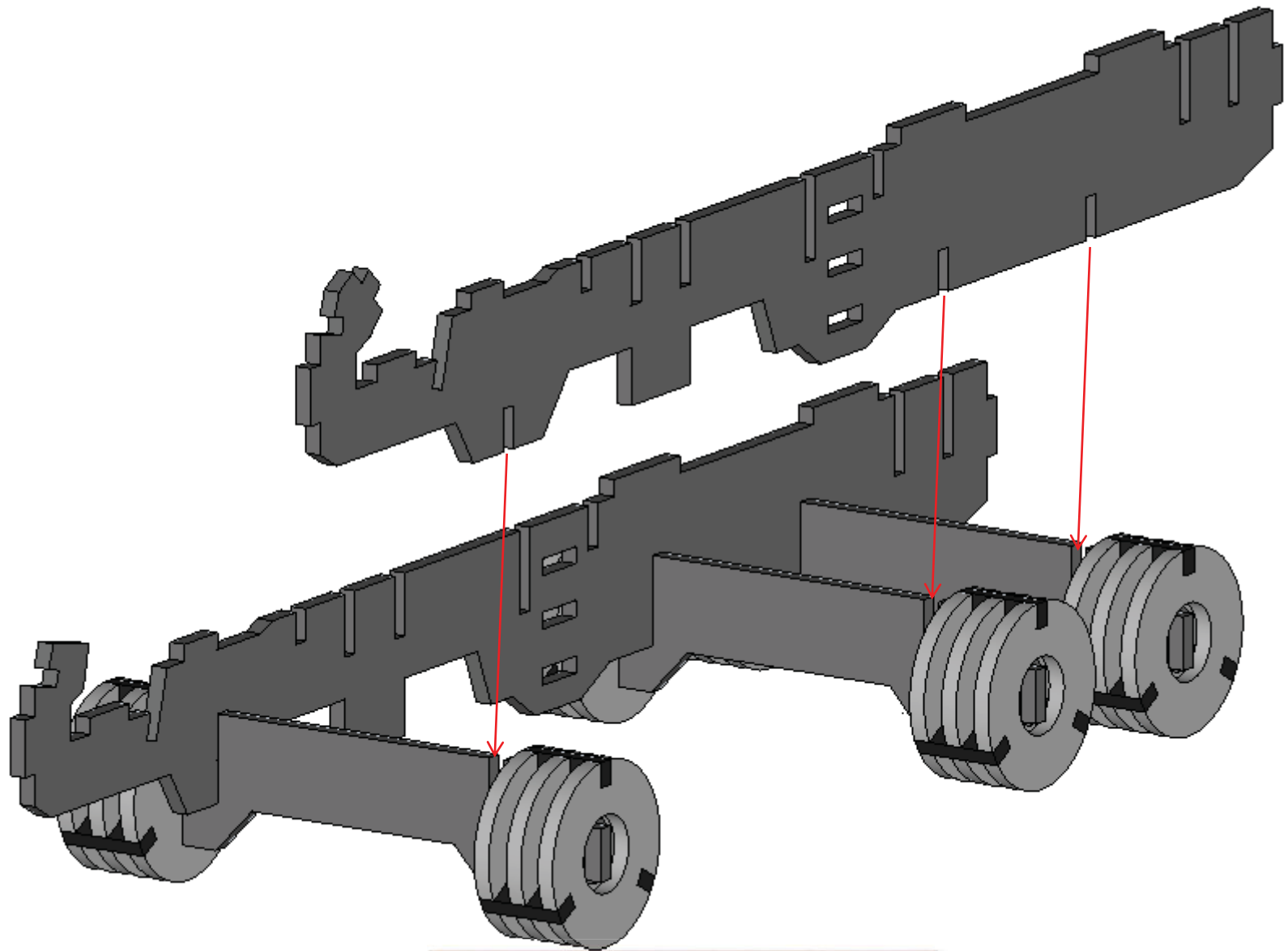


Create two more sets

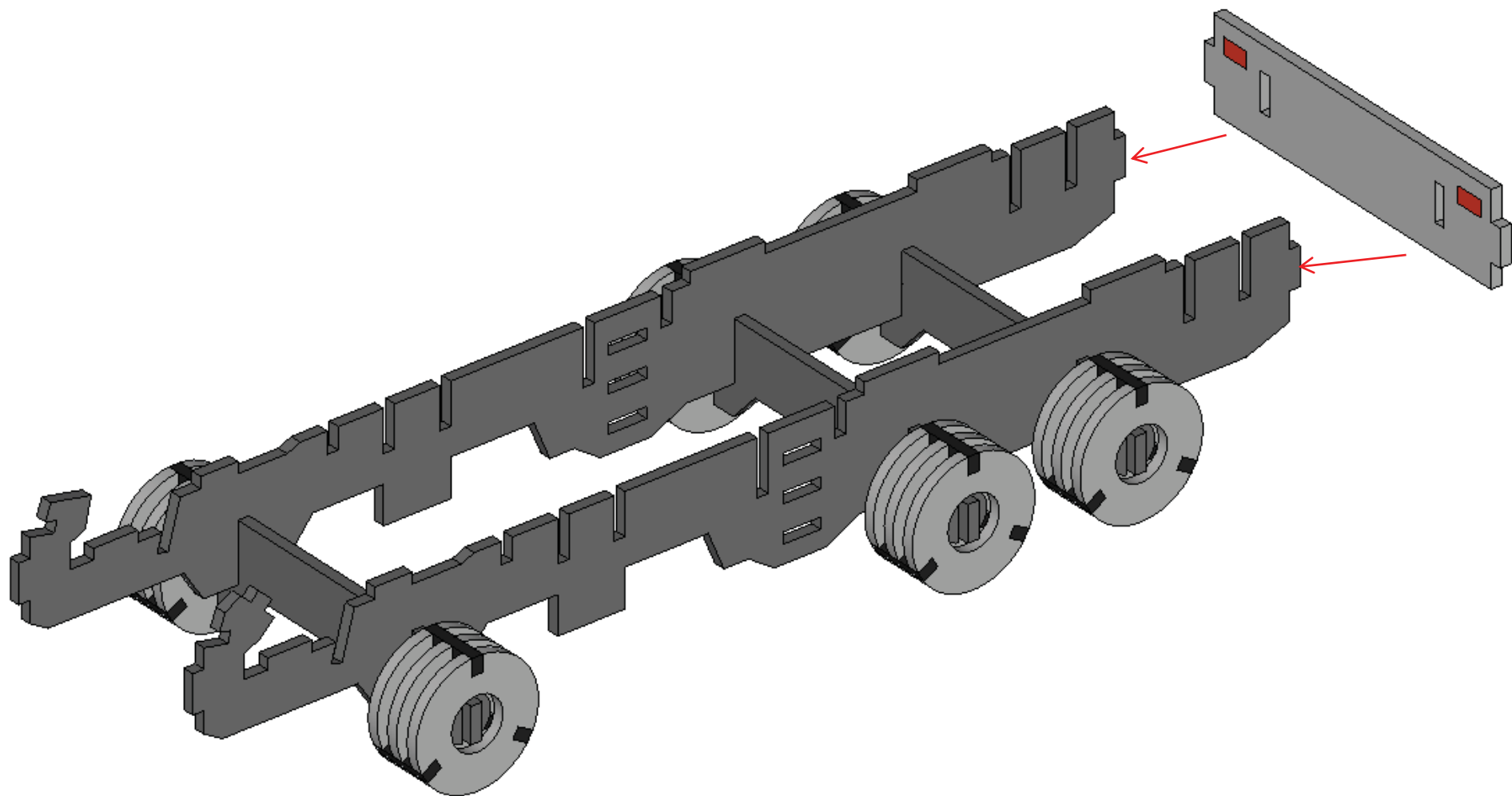
ASSEMBLY STEPS



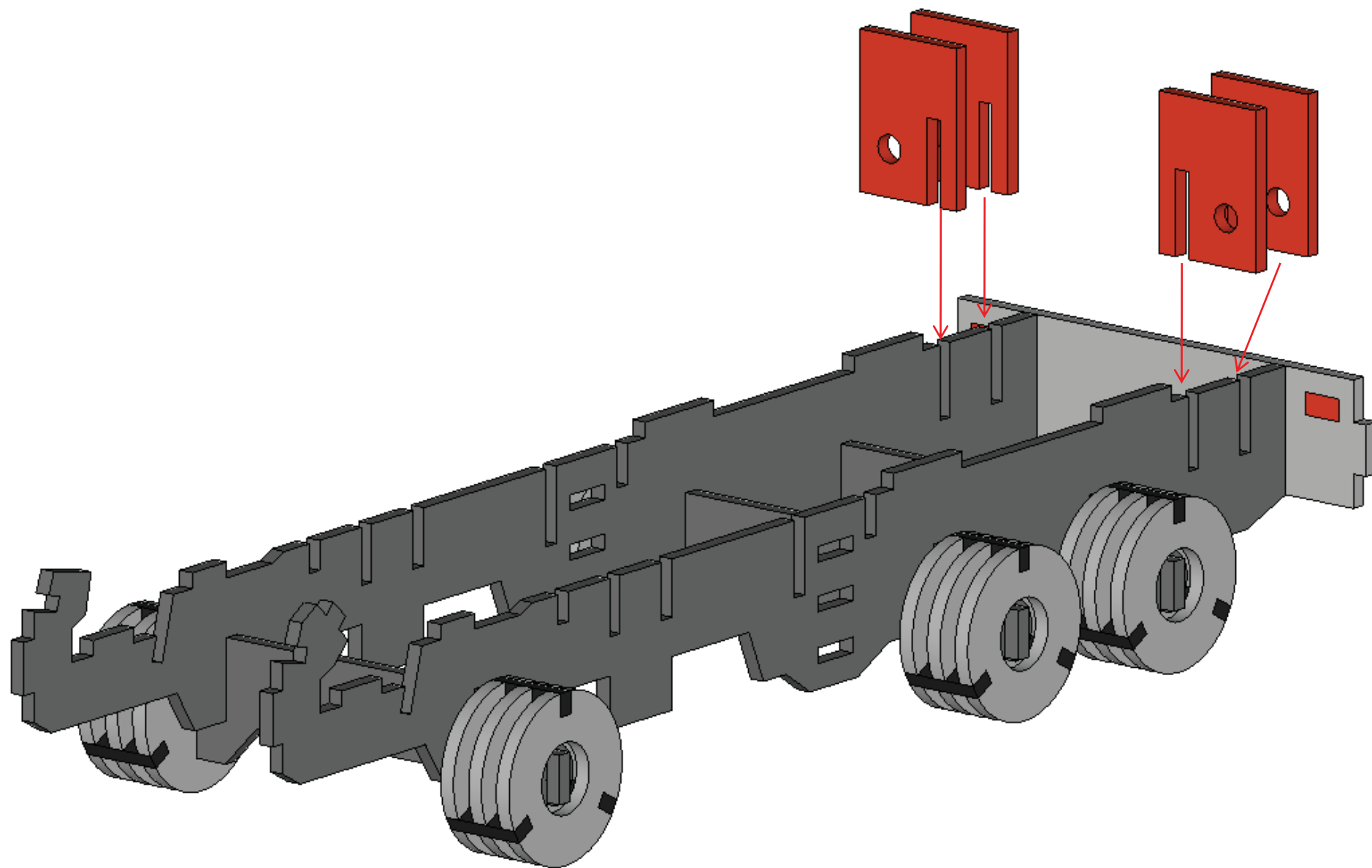
ASSEMBLY STEPS



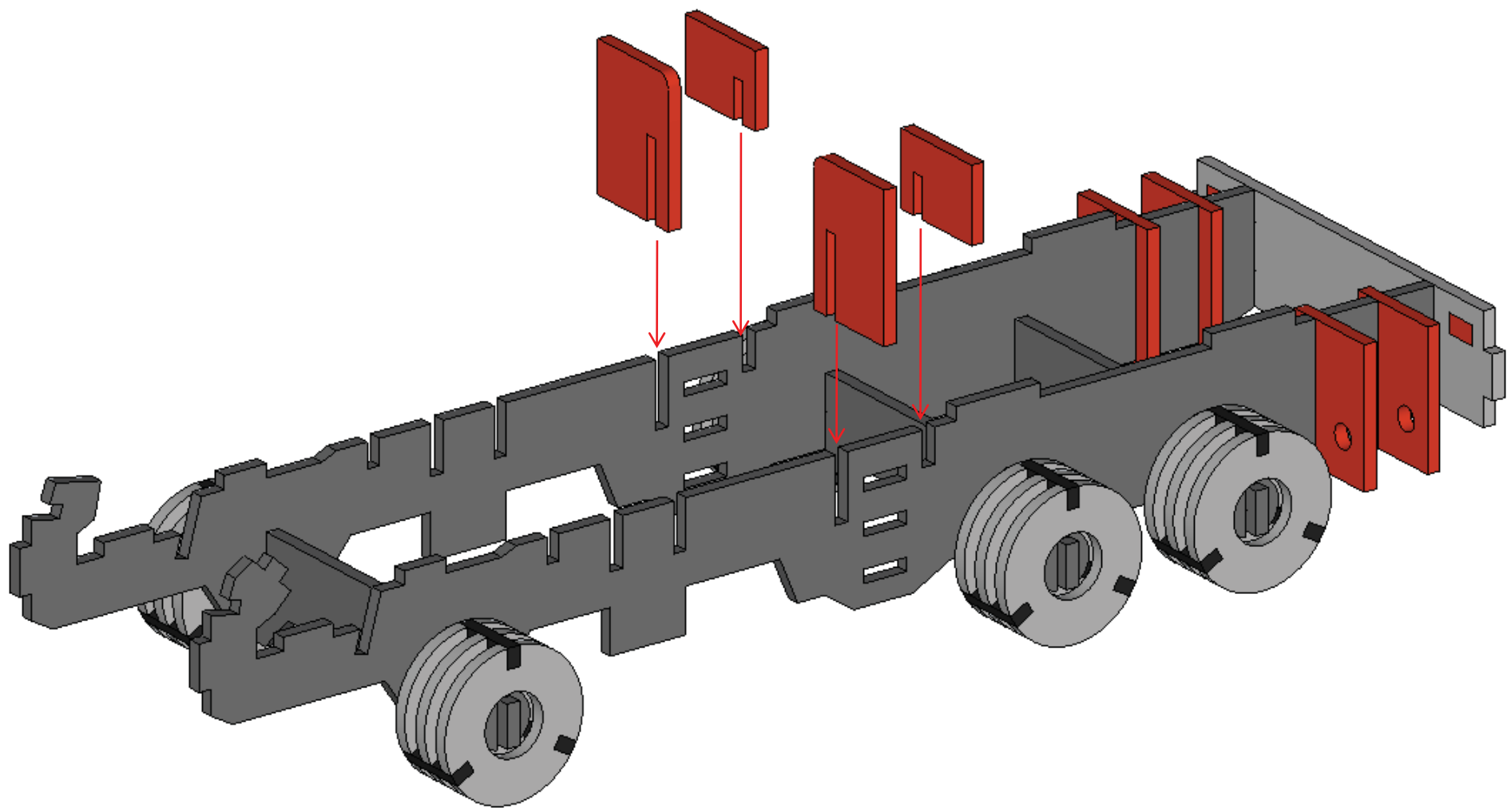
ASSEMBLY STEPS



ASSEMBLY STEPS

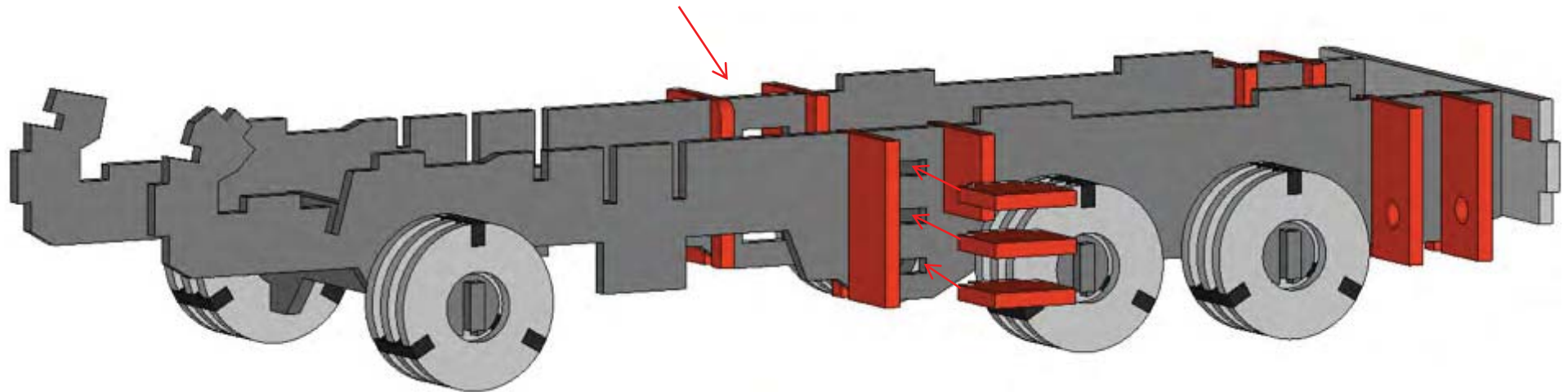


ASSEMBLY STEPS

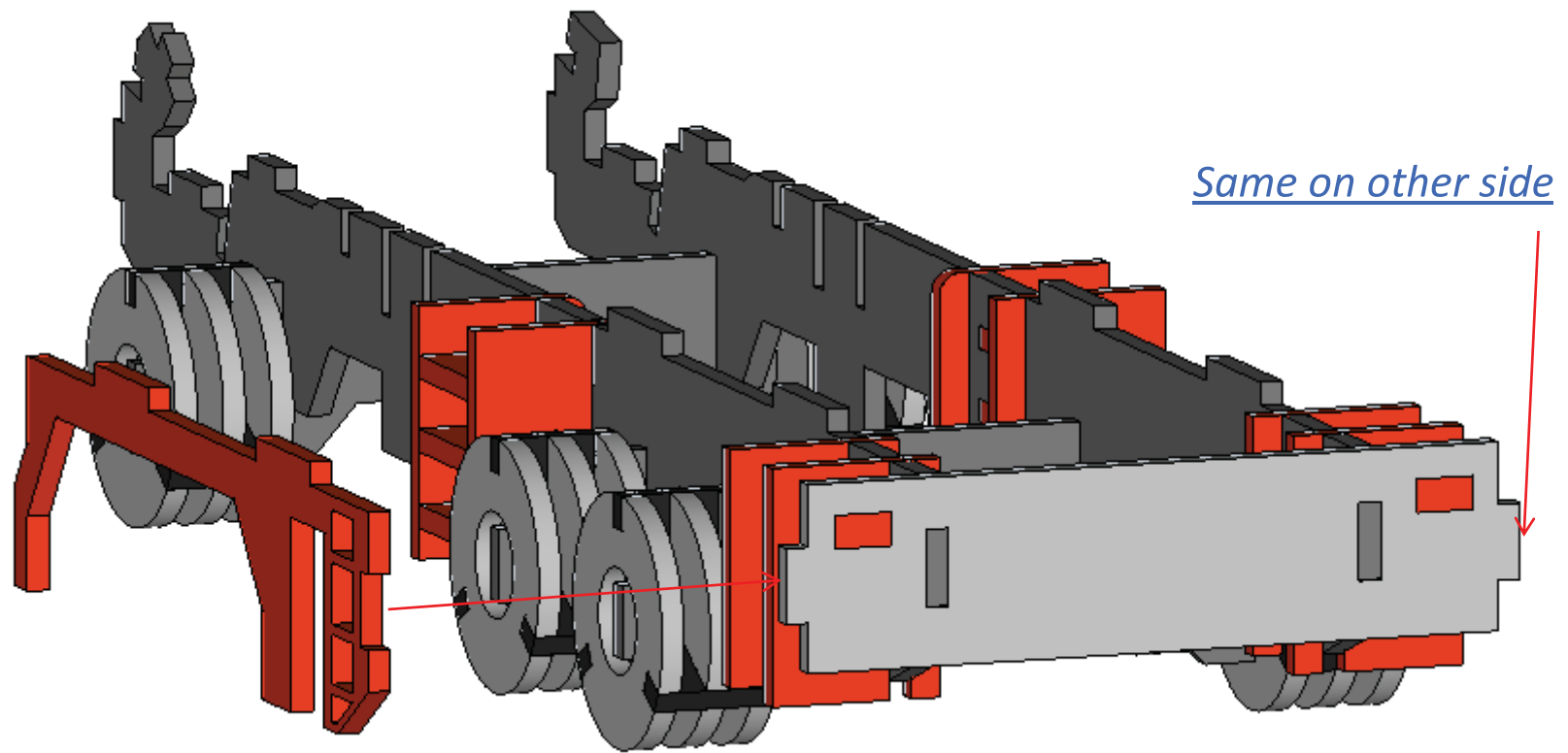


ASSEMBLY STEPS

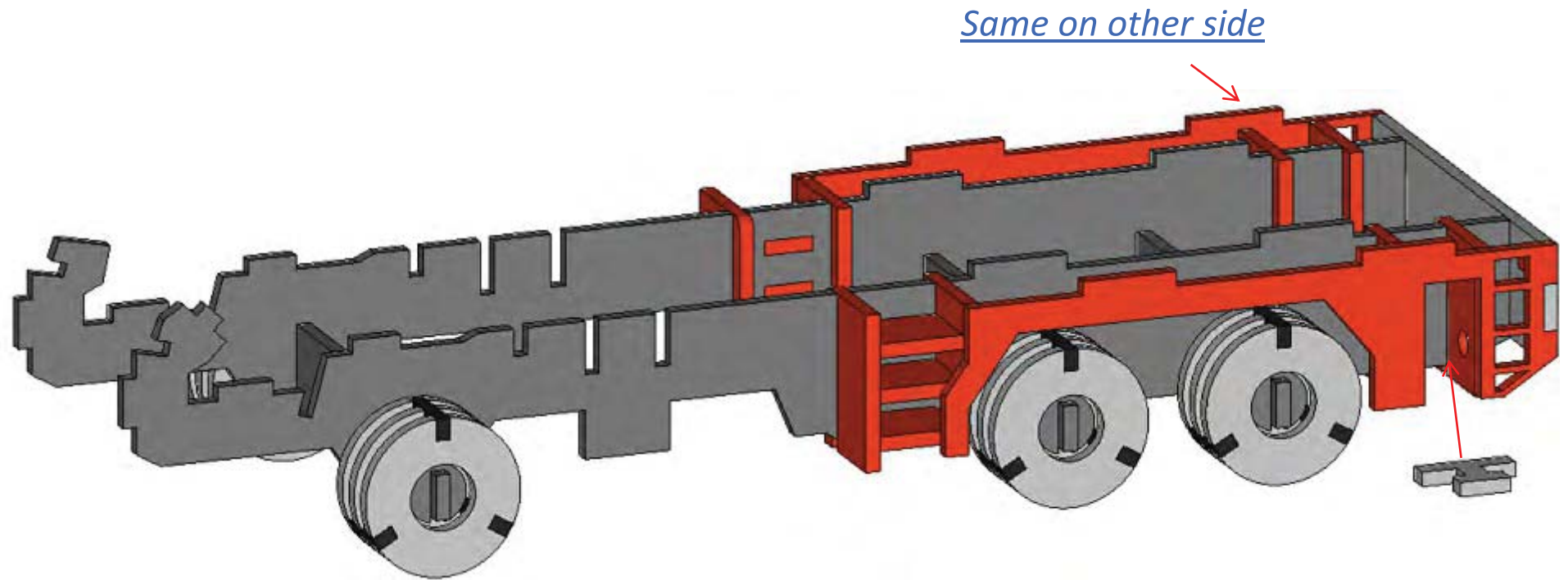
Same on other side



ASSEMBLY STEPS



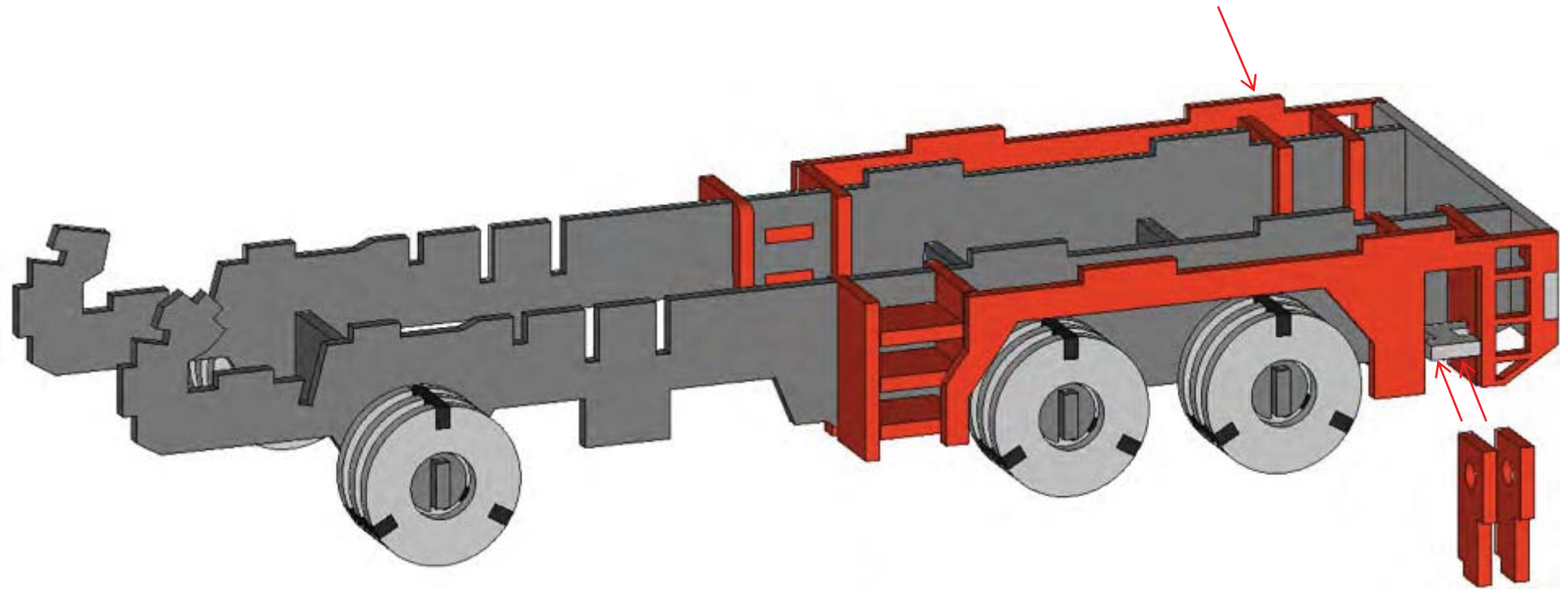
ASSEMBLY STEPS



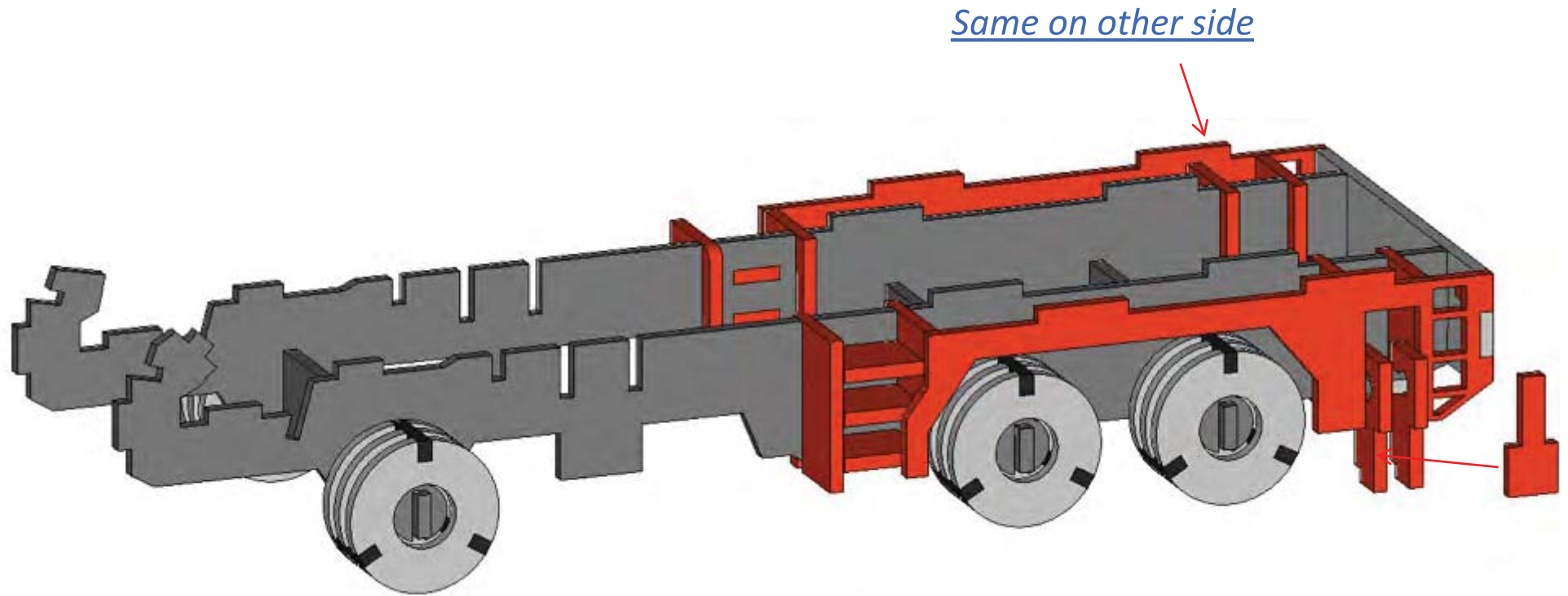
Same on other side

ASSEMBLY STEPS

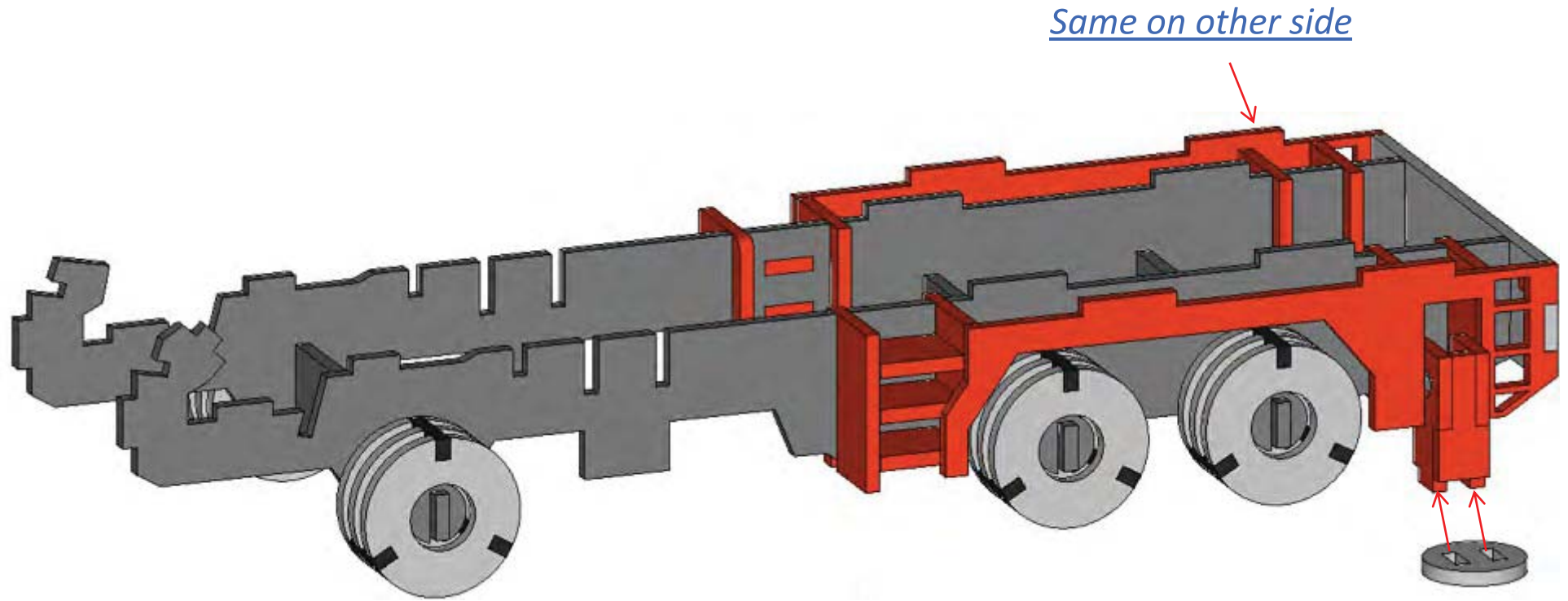
Same on other side



ASSEMBLY STEPS

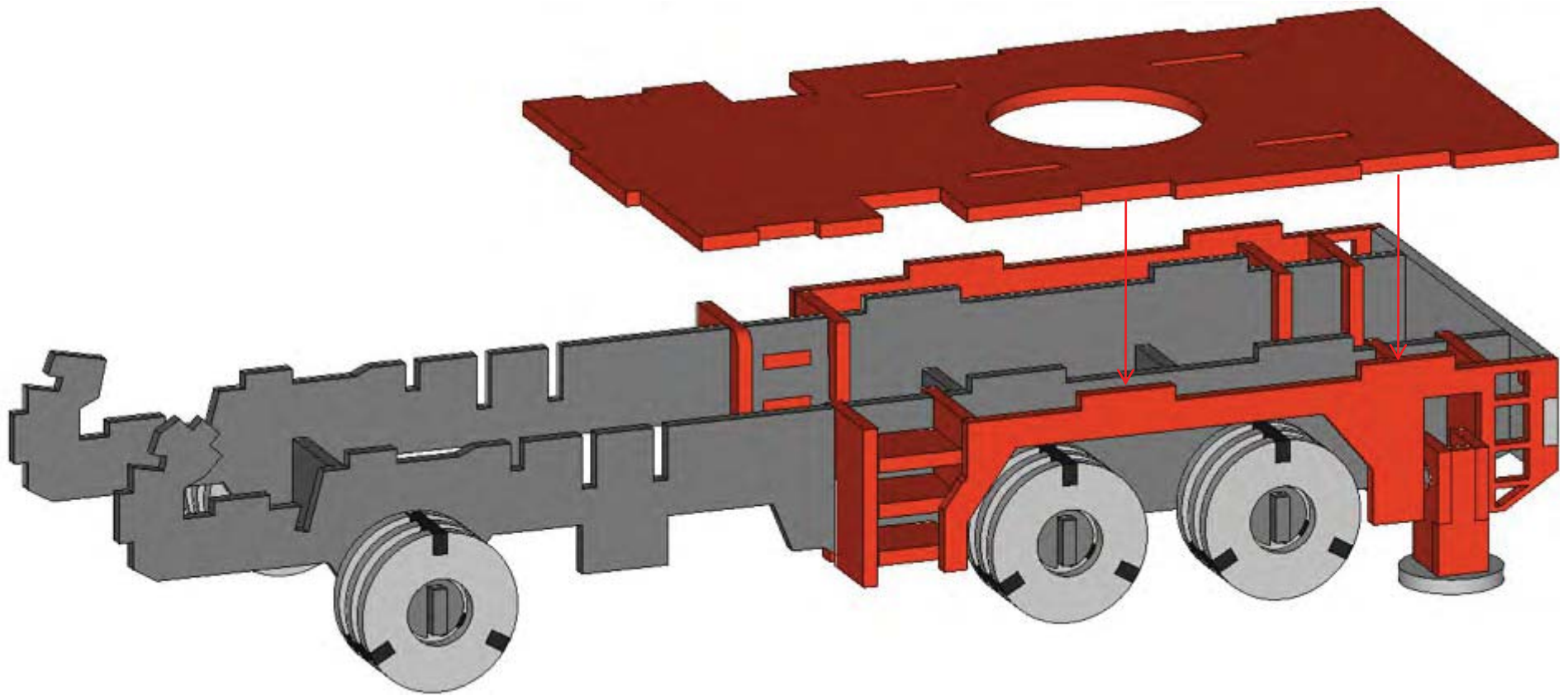


ASSEMBLY STEPS

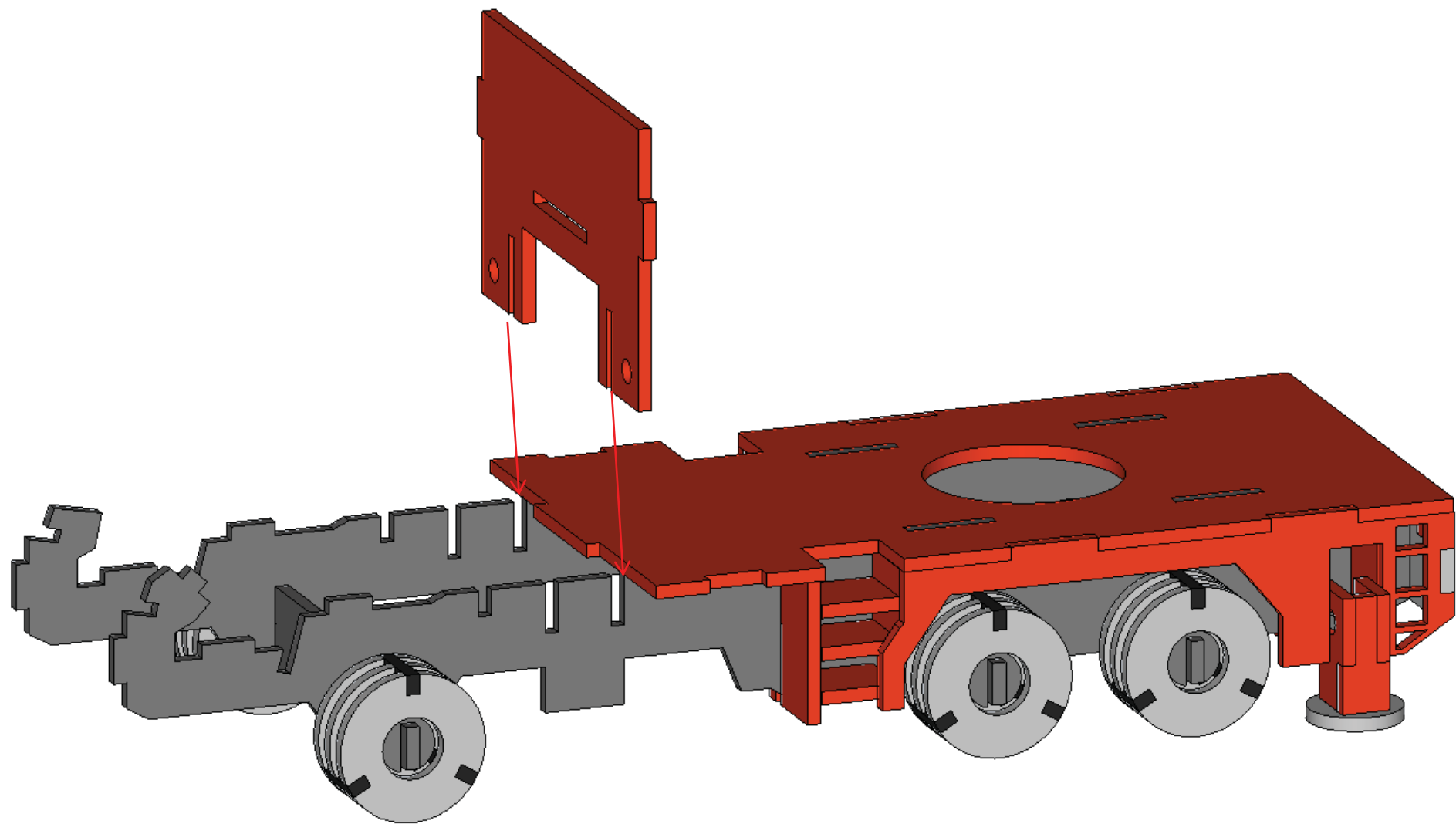


Same on other side

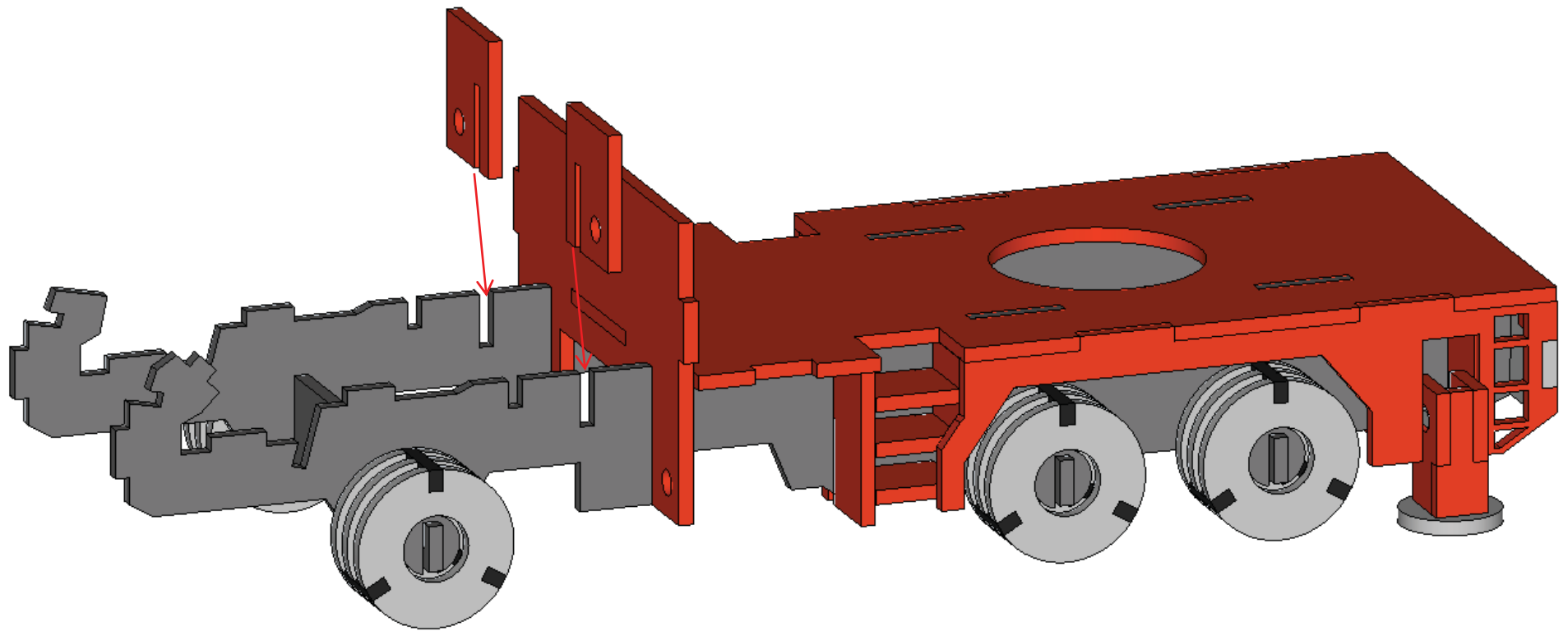
ASSEMBLY STEPS



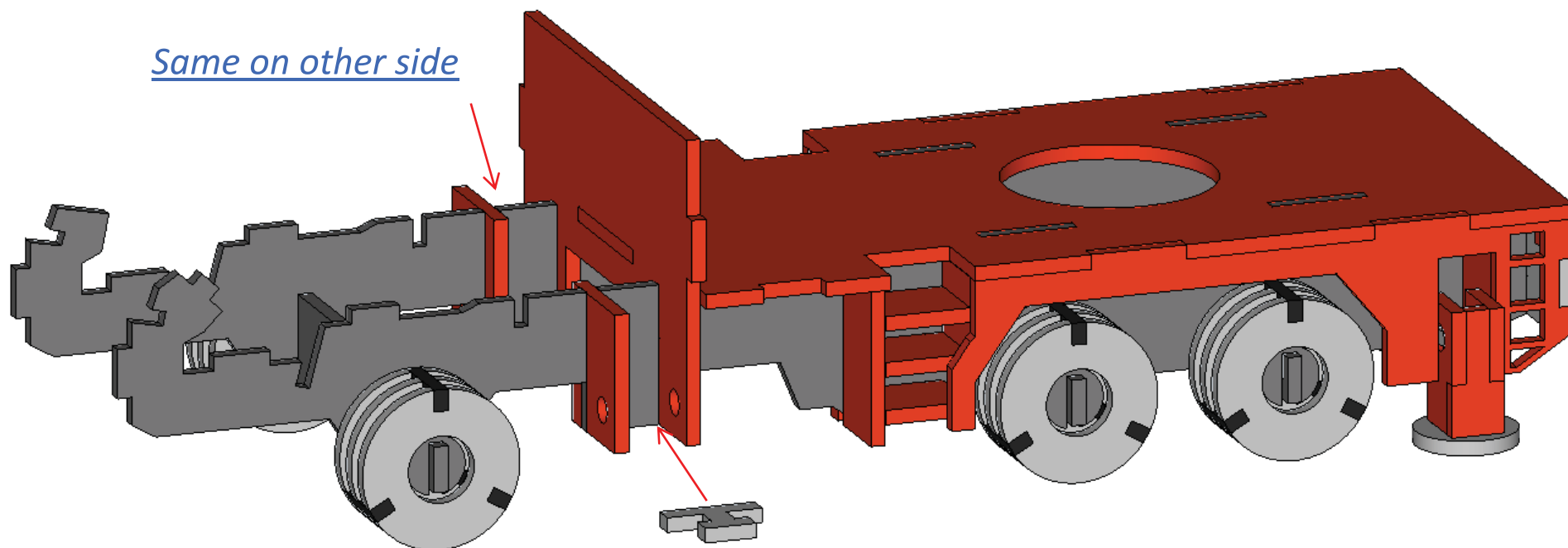
ASSEMBLY STEPS



ASSEMBLY STEPS

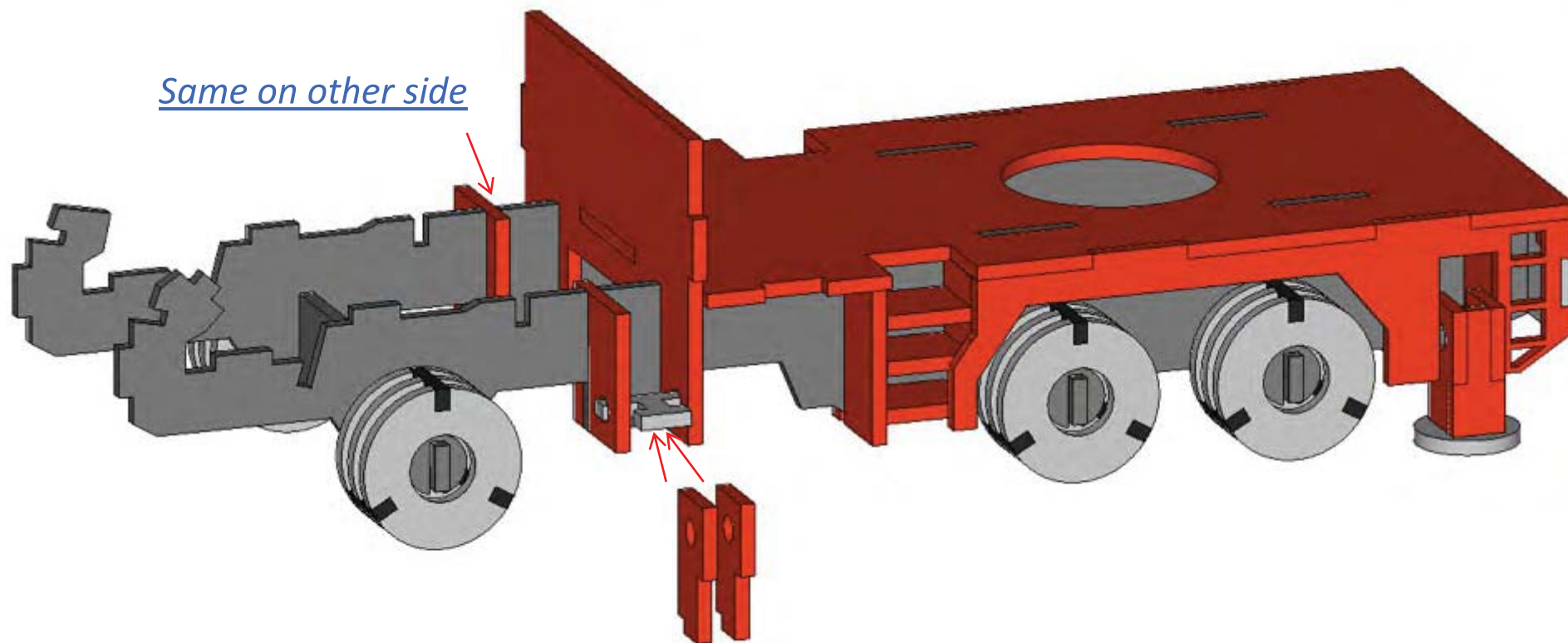


ASSEMBLY STEPS

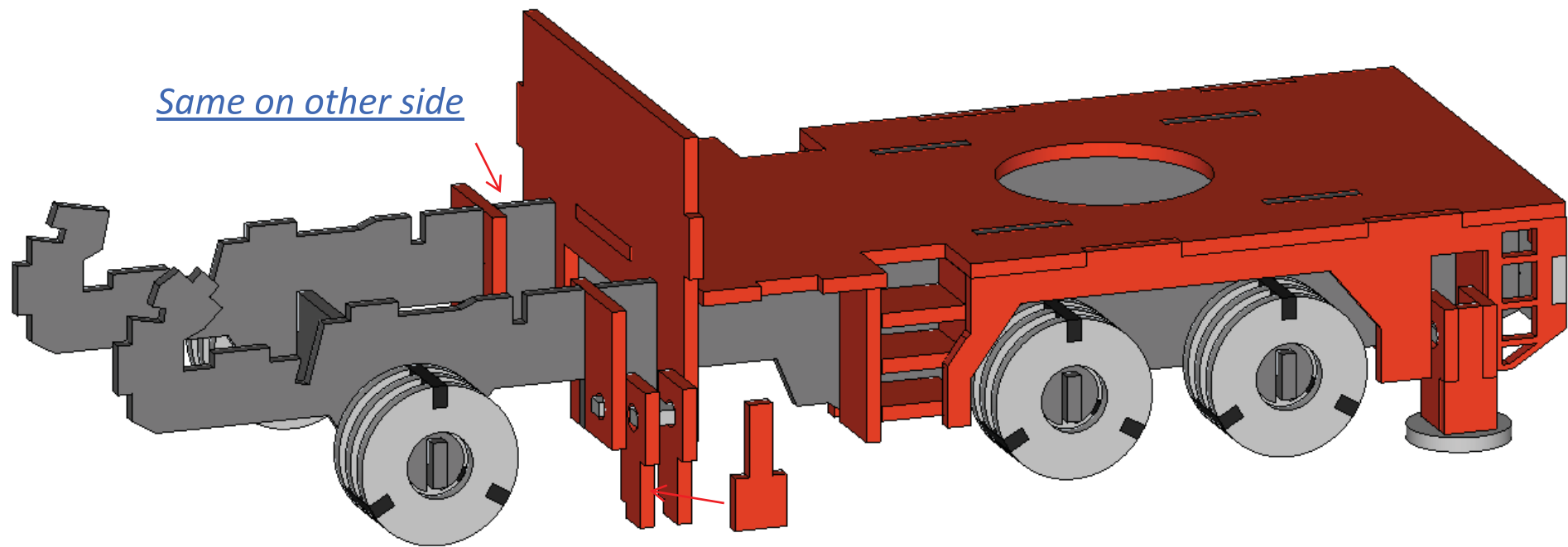


Same on other side

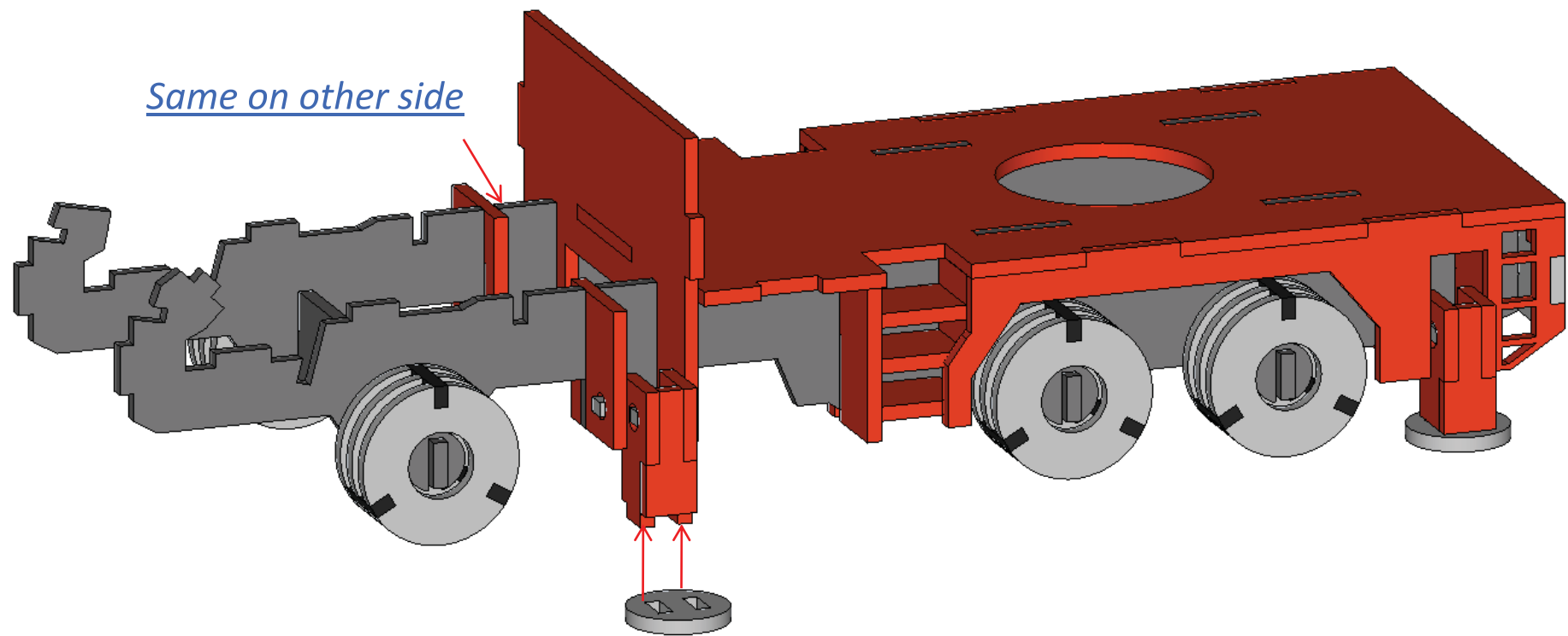
ASSEMBLY STEPS



ASSEMBLY STEPS

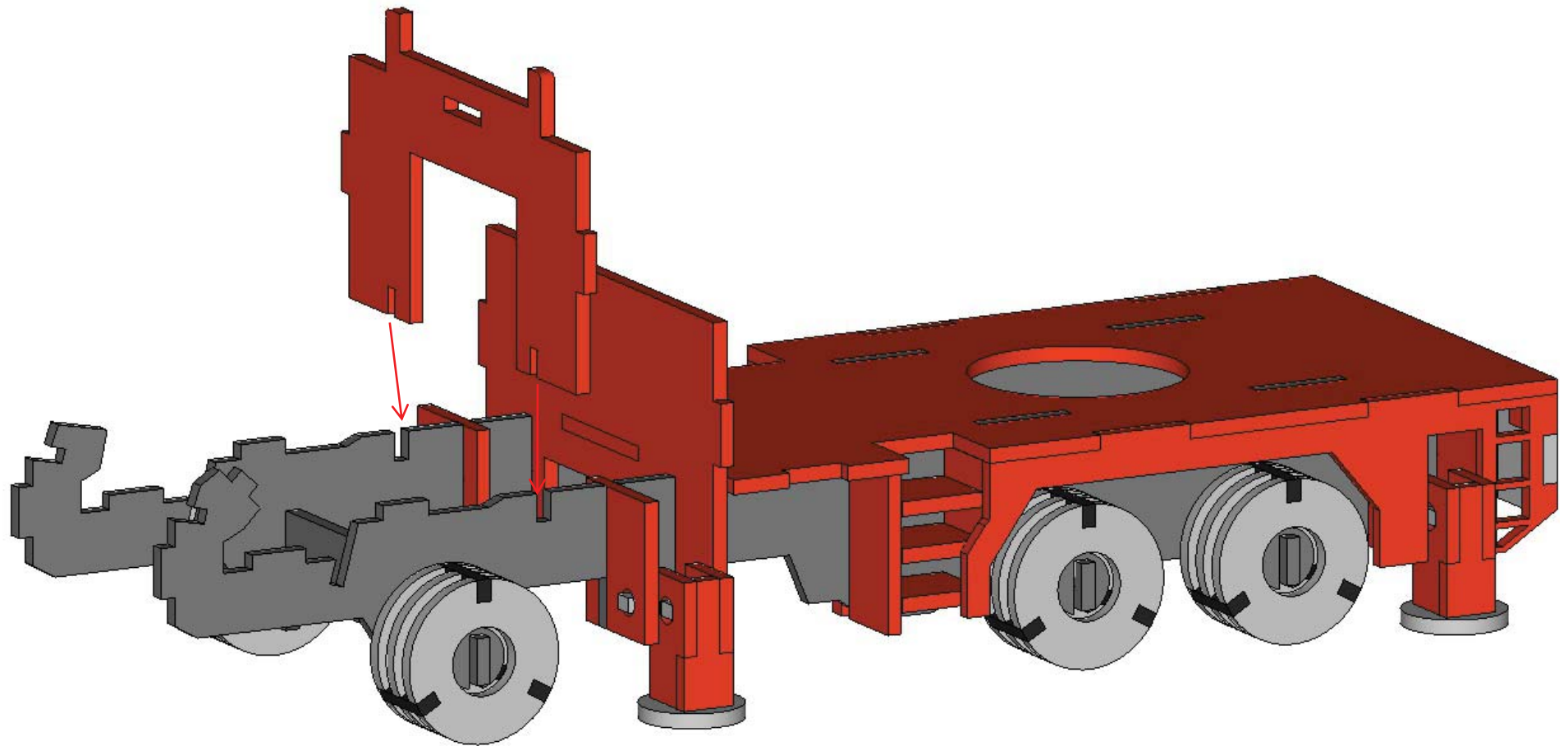


ASSEMBLY STEPS



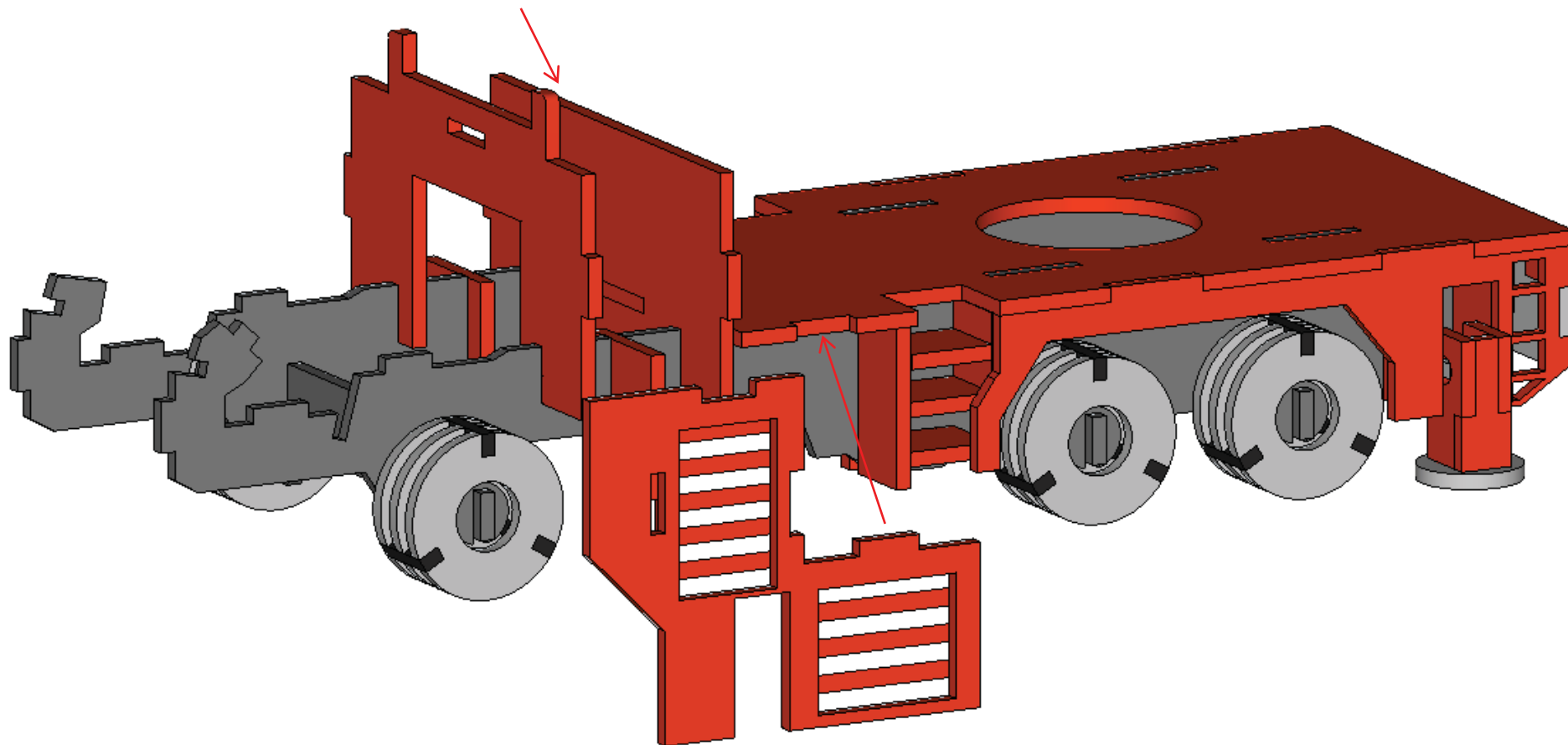
Same on other side

ASSEMBLY STEPS

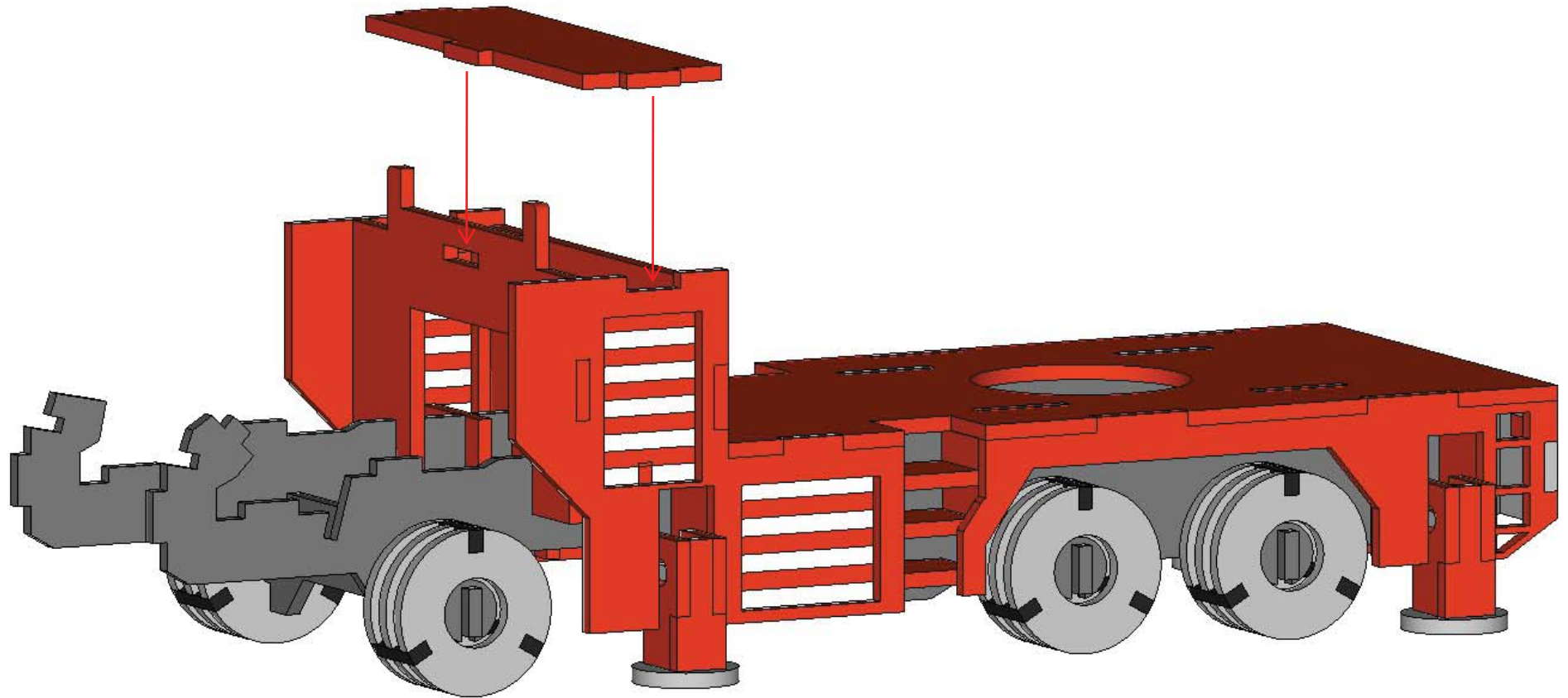


ASSEMBLY STEPS

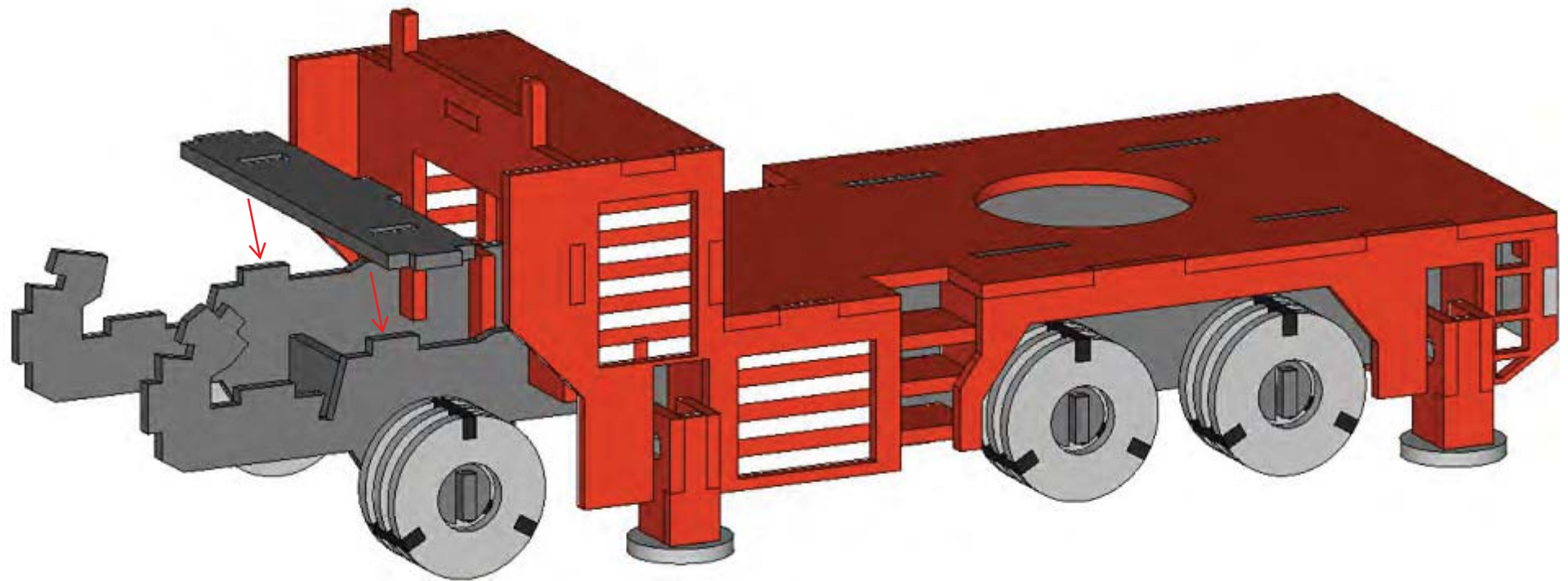
Same on other side



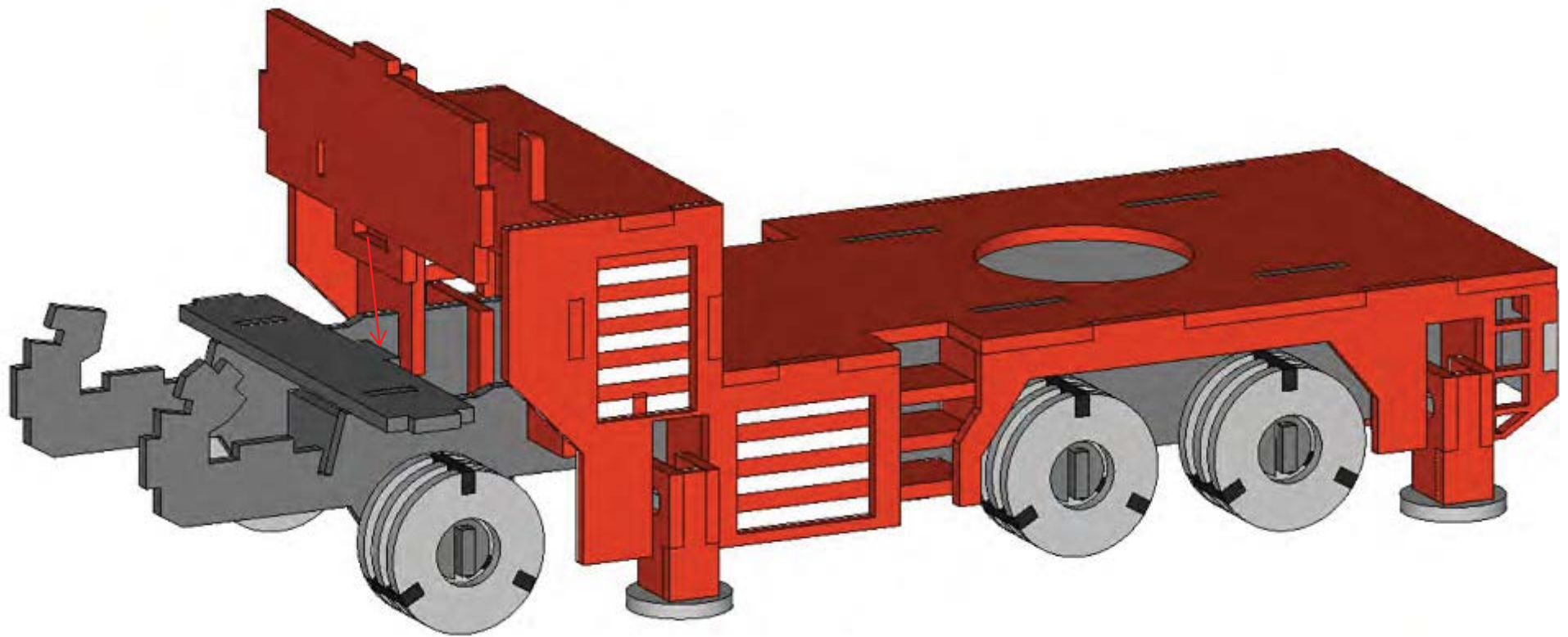
ASSEMBLY STEPS



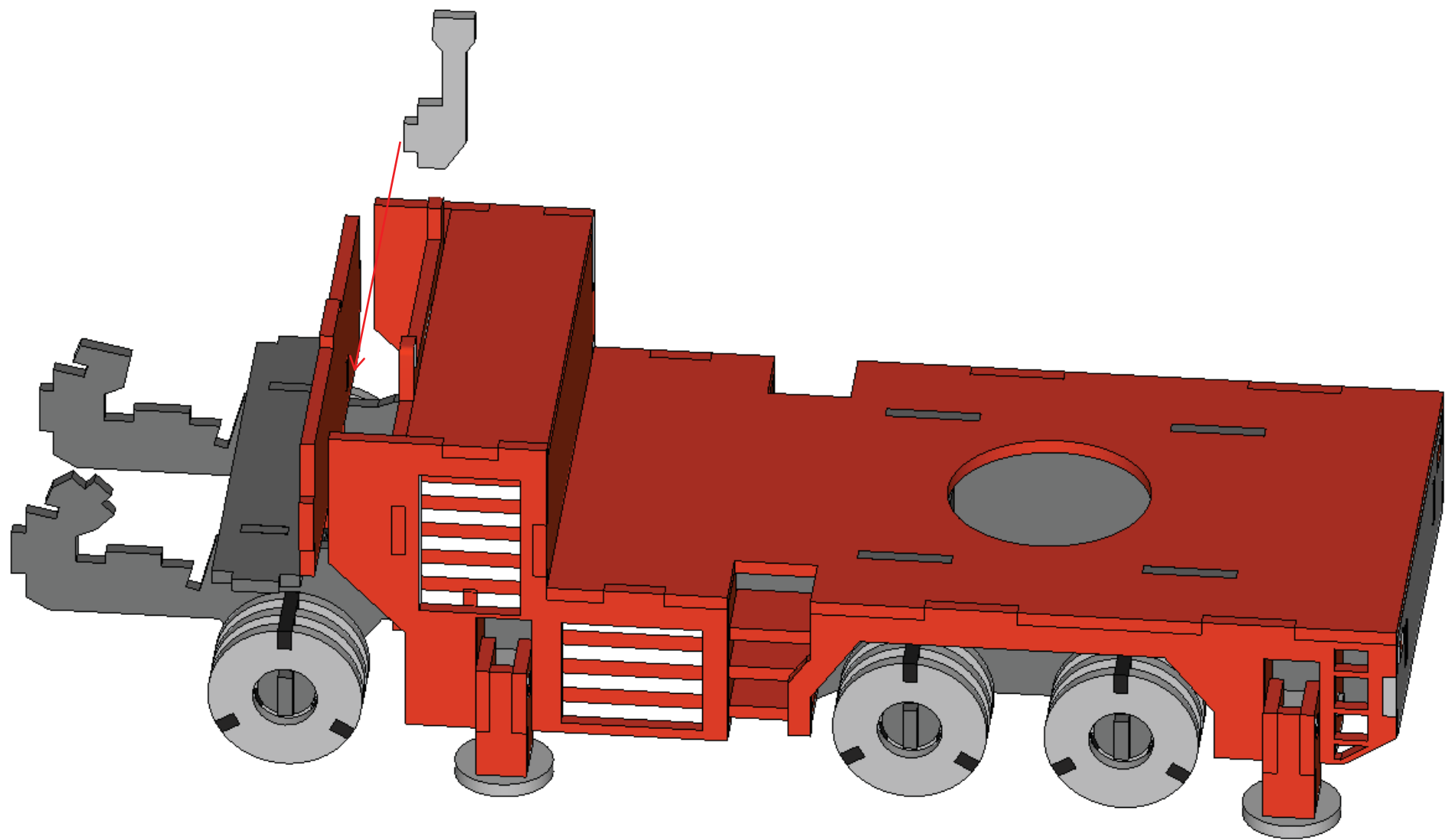
ASSEMBLY STEPS



ASSEMBLY STEPS

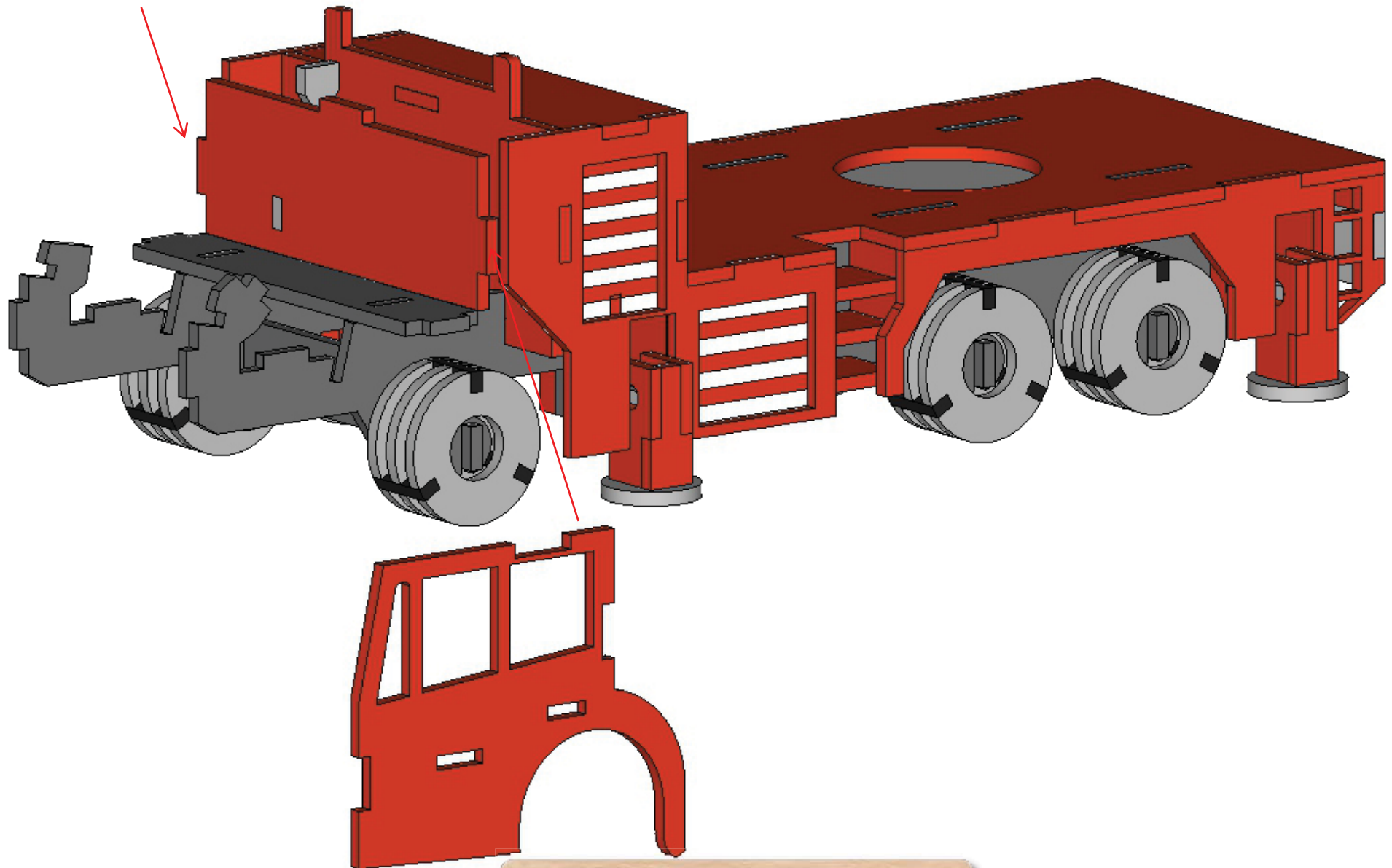


ASSEMBLY STEPS

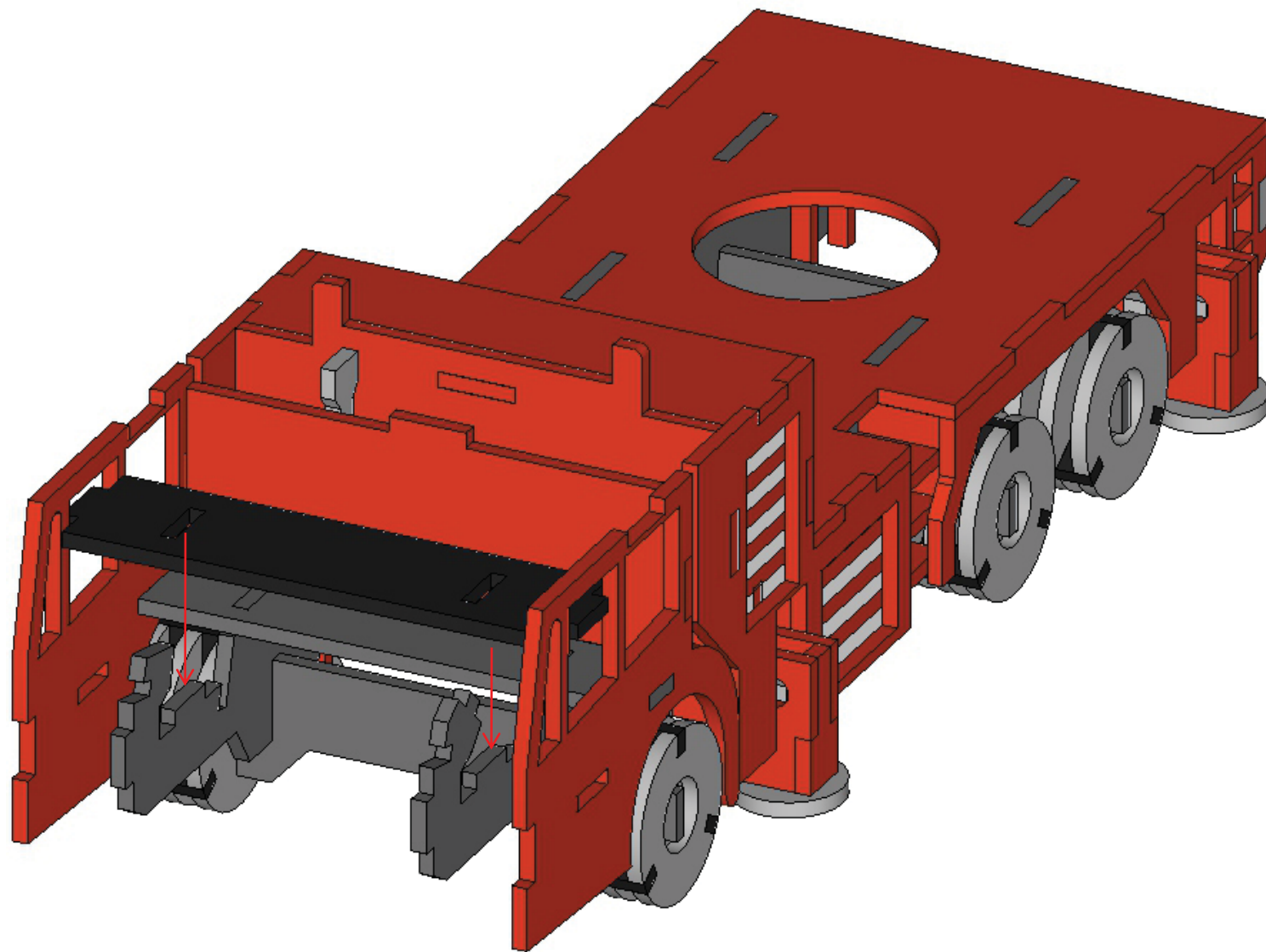


ASSEMBLY STEPS

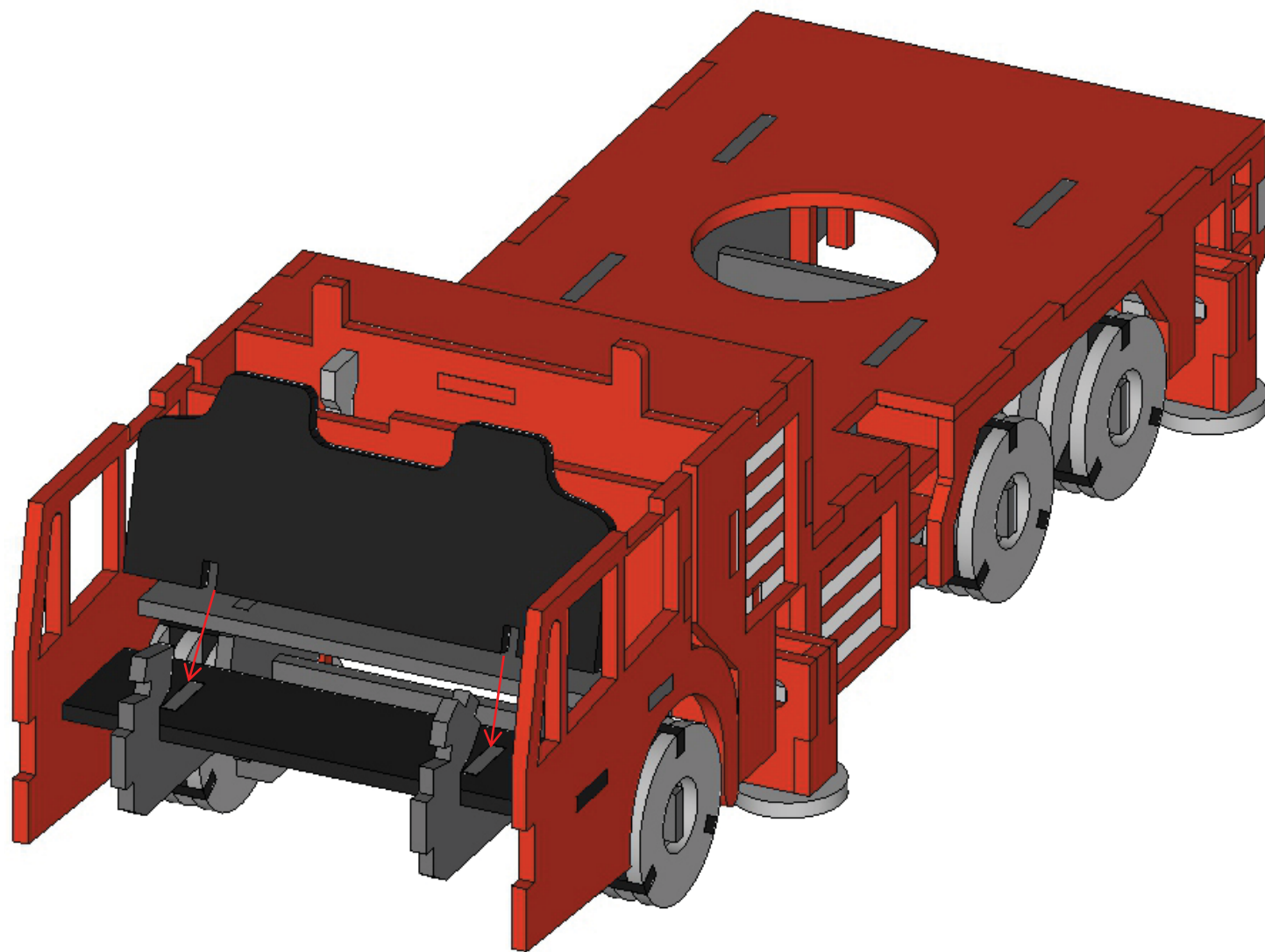
Same on other side



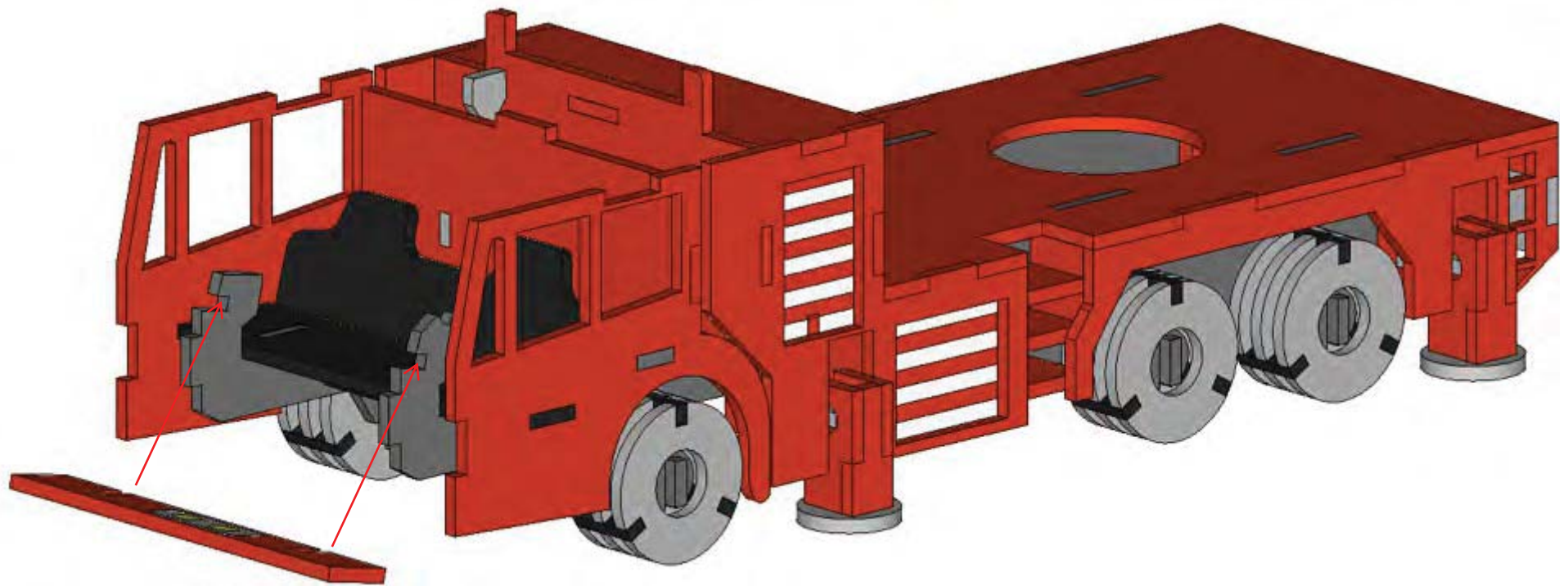
ASSEMBLY STEPS



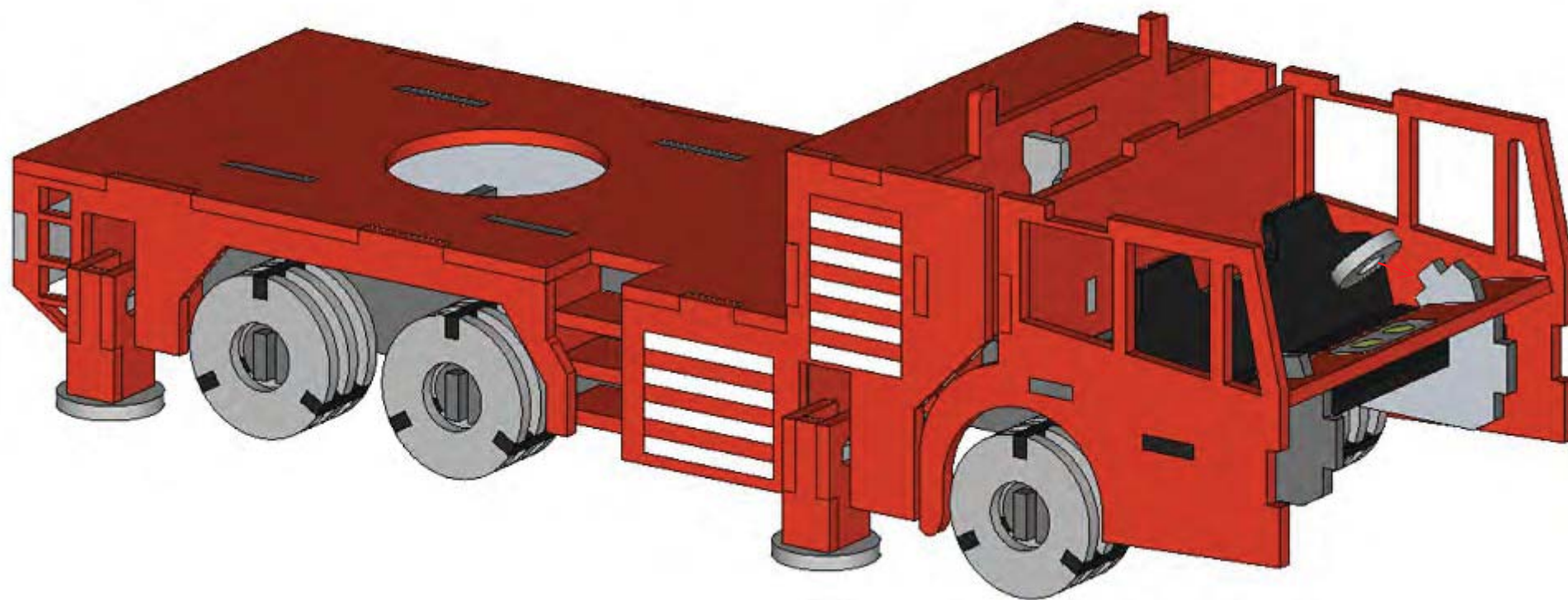
ASSEMBLY STEPS



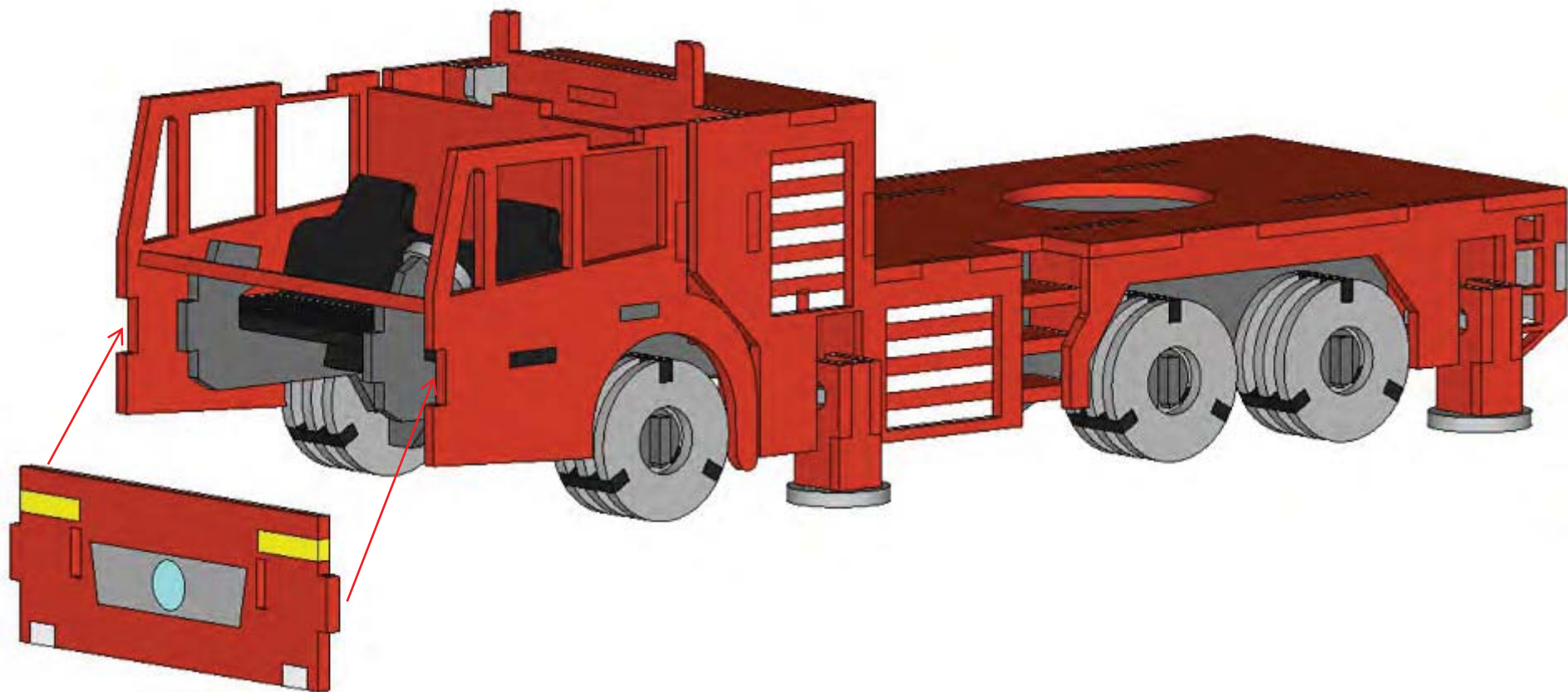
ASSEMBLY STEPS



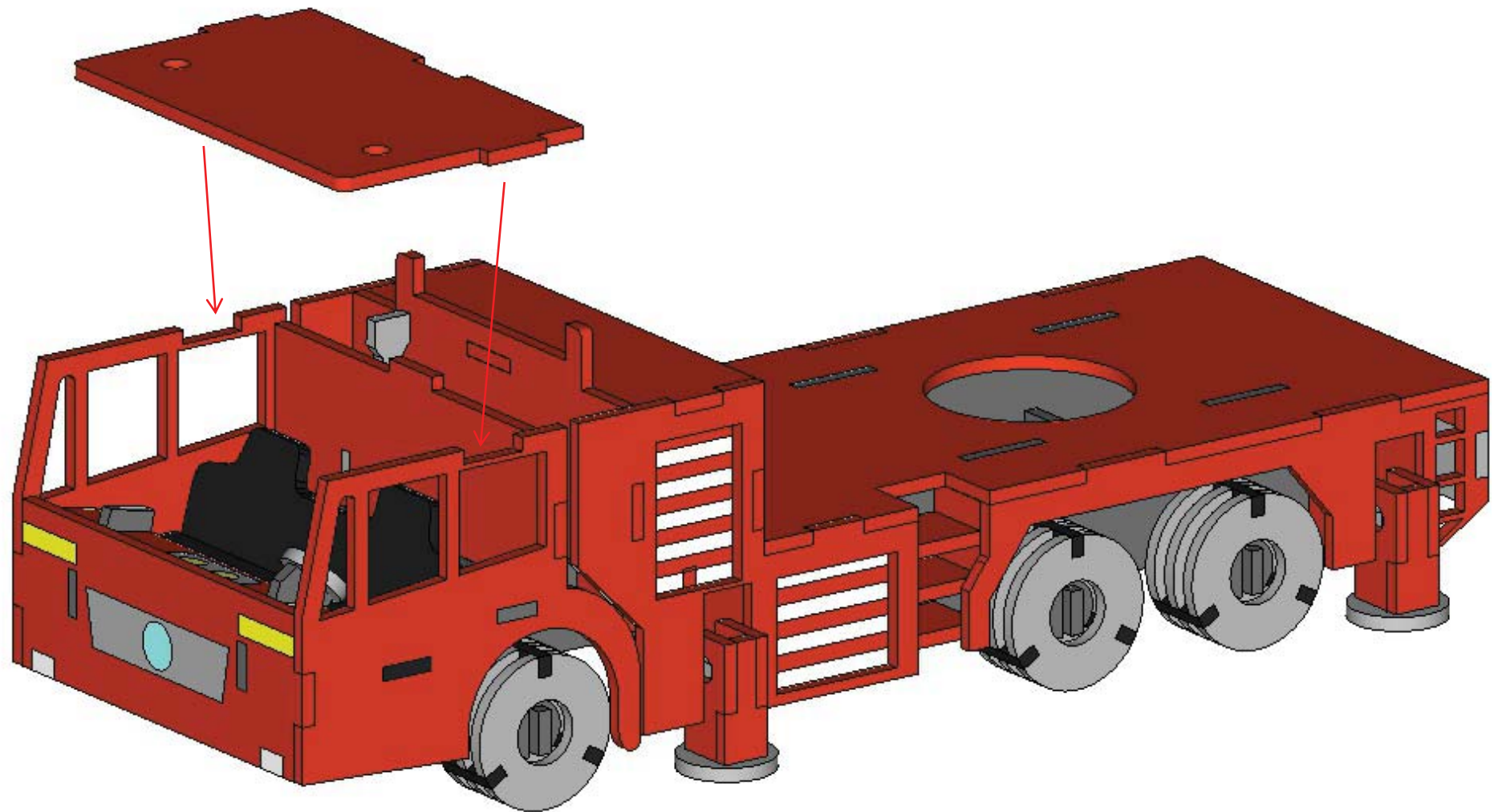
ASSEMBLY STEPS



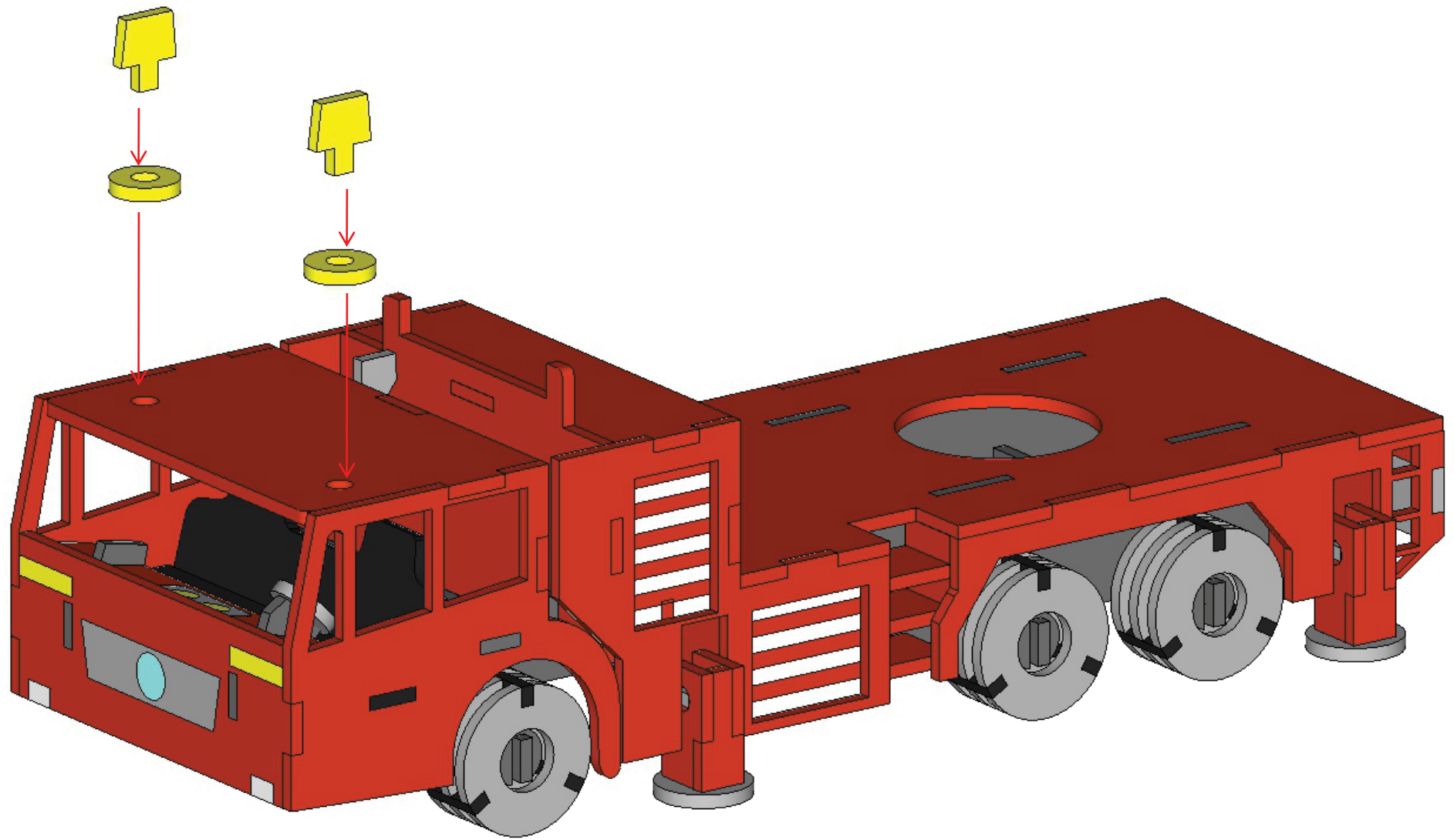
ASSEMBLY STEPS



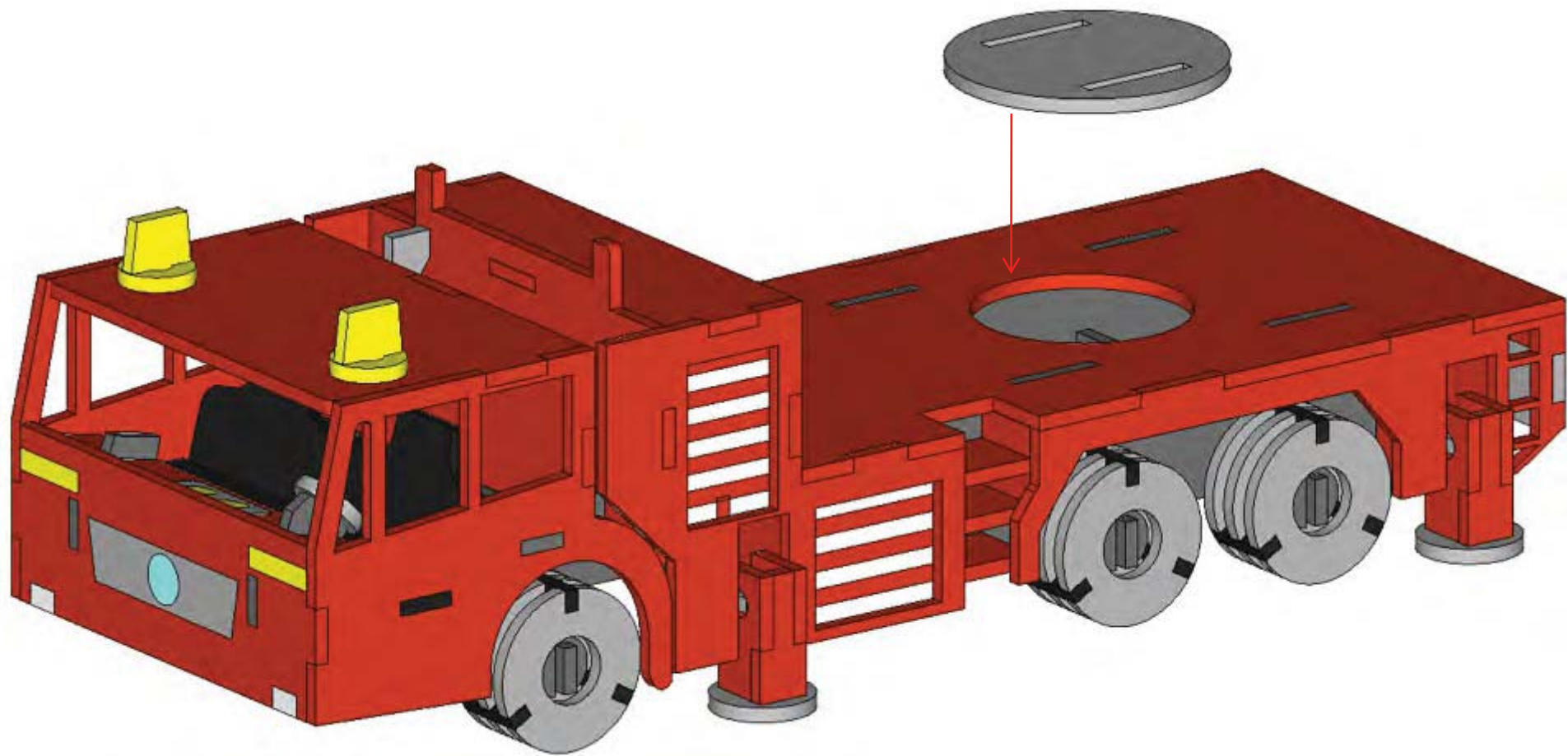
ASSEMBLY STEPS



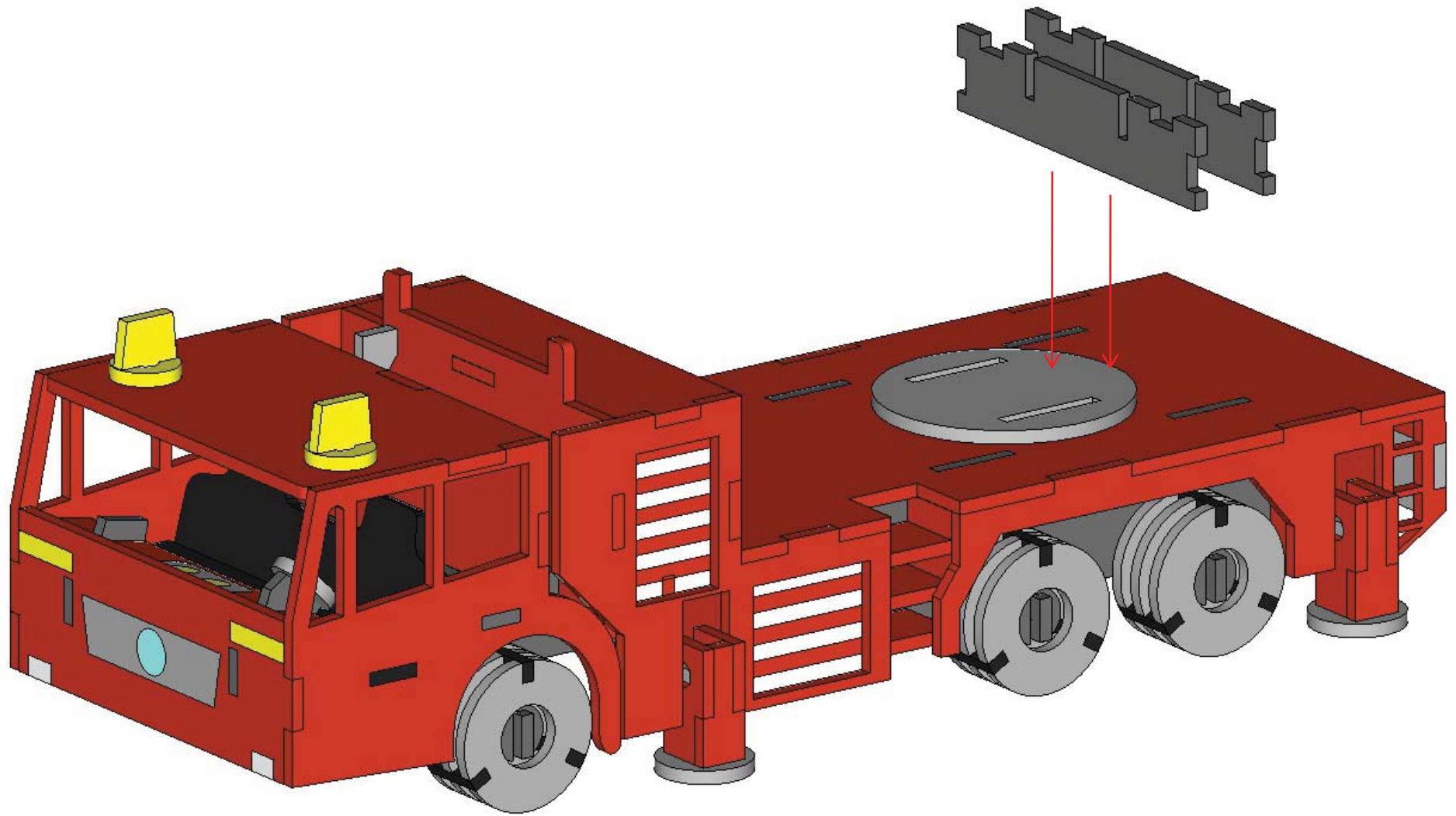
ASSEMBLY STEPS



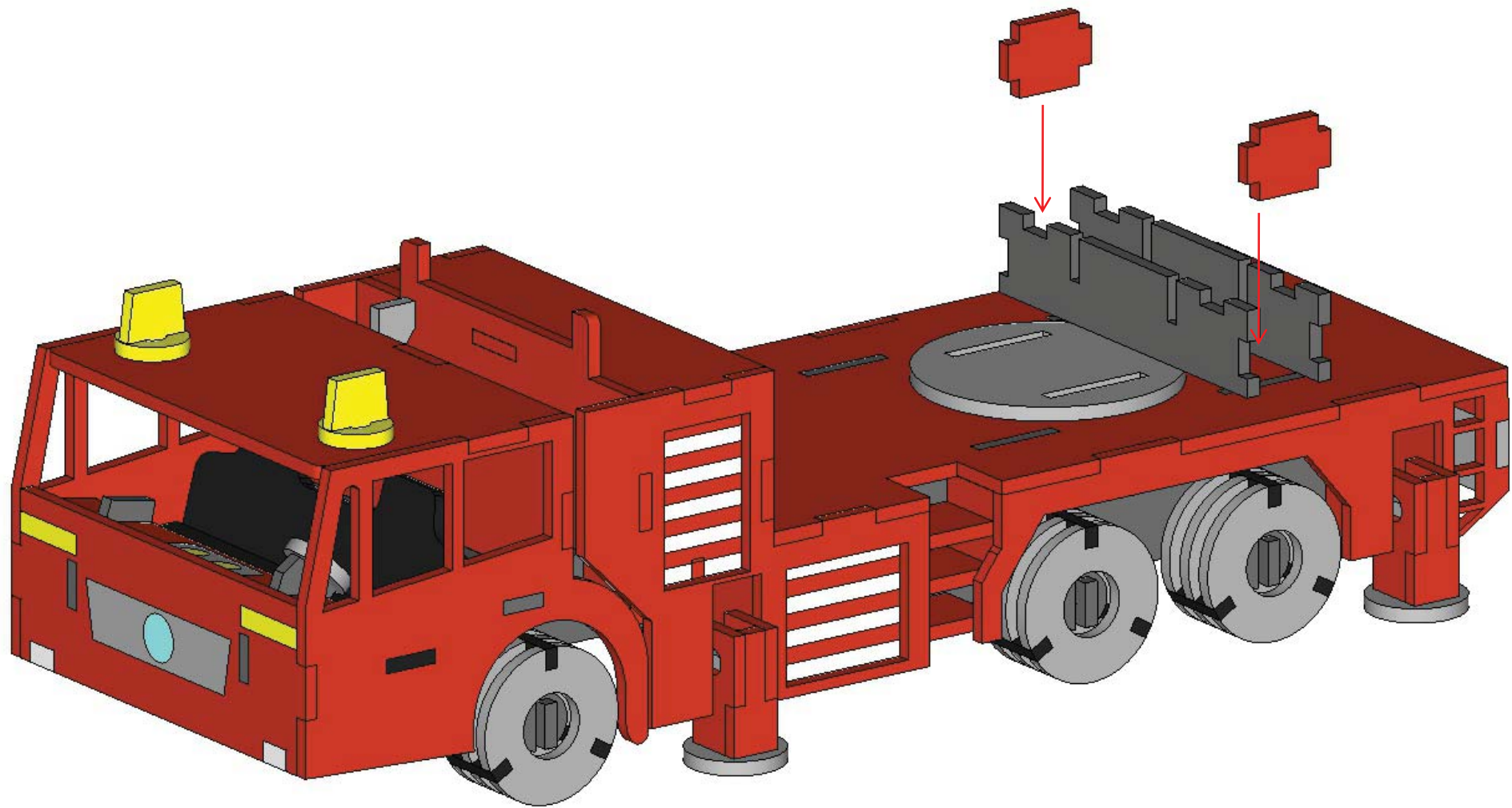
ASSEMBLY STEPS



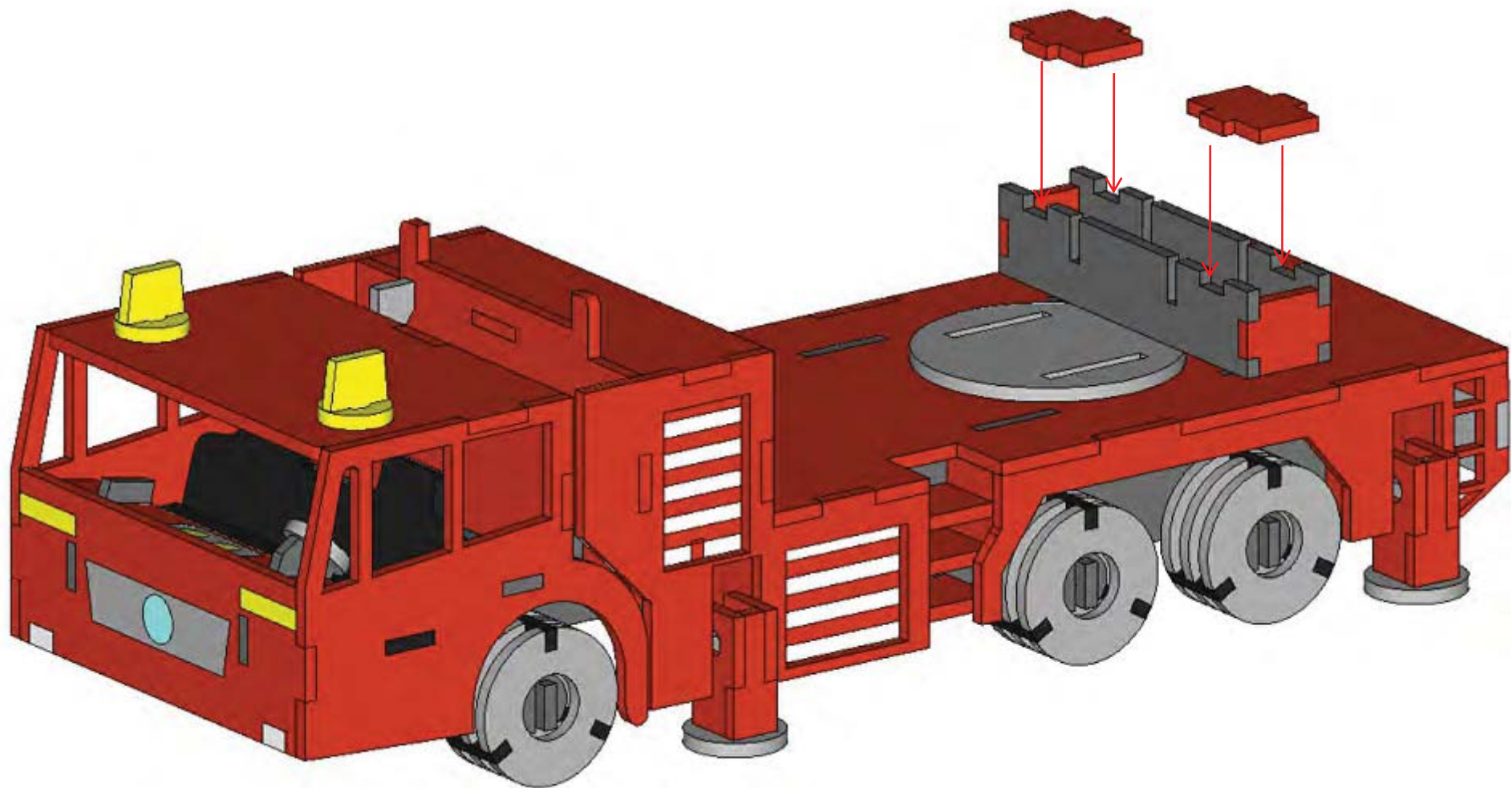
ASSEMBLY STEPS



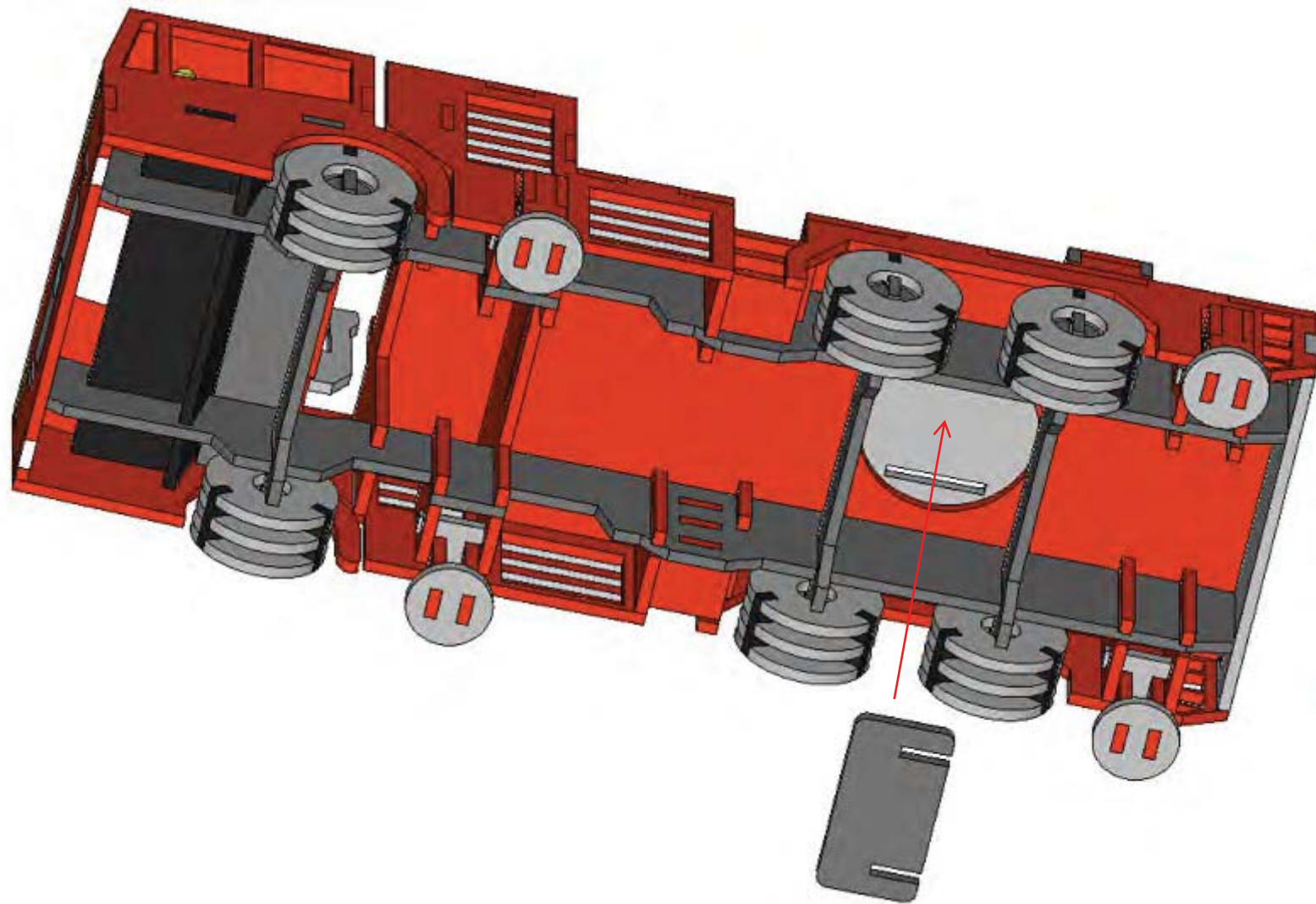
ASSEMBLY STEPS



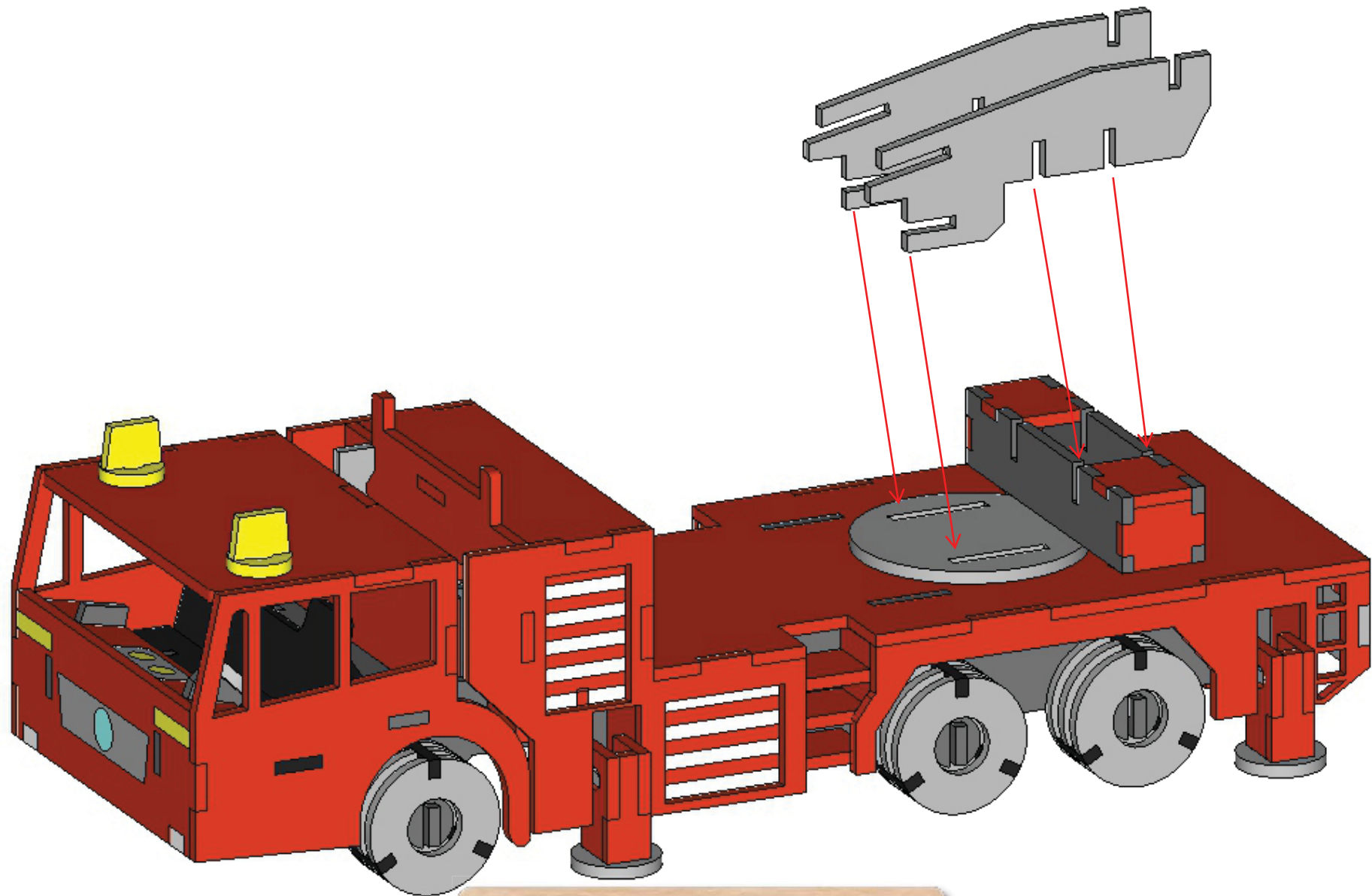
ASSEMBLY STEPS



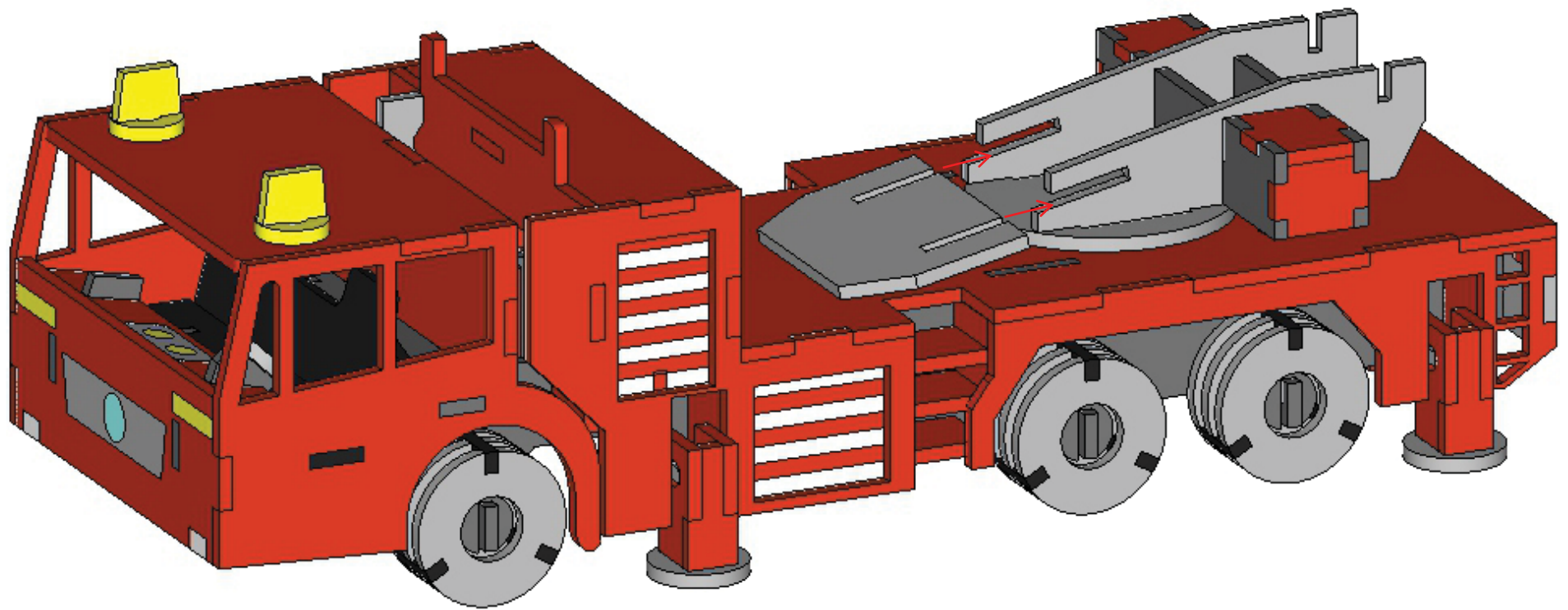
ASSEMBLY STEPS



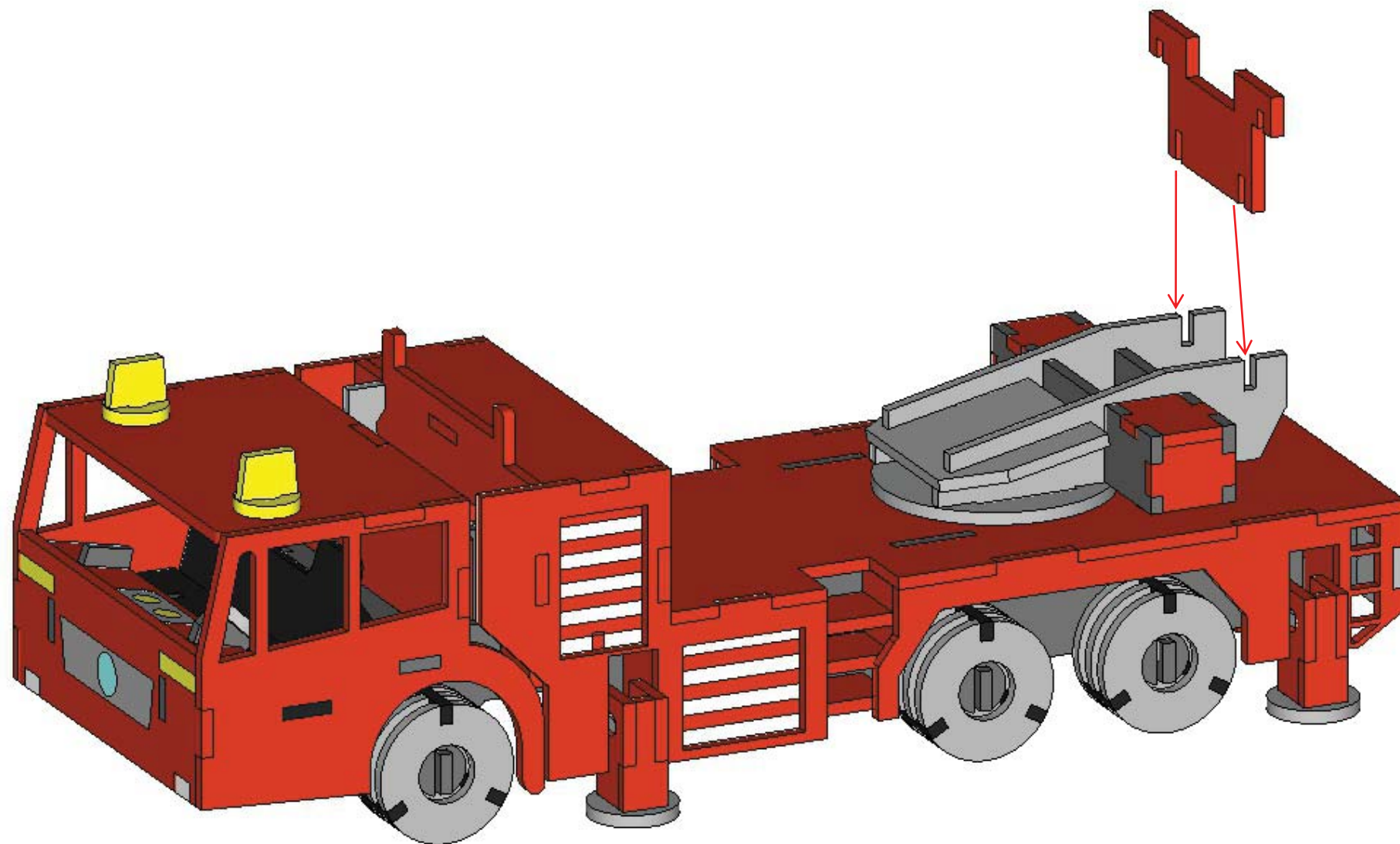
ASSEMBLY STEPS



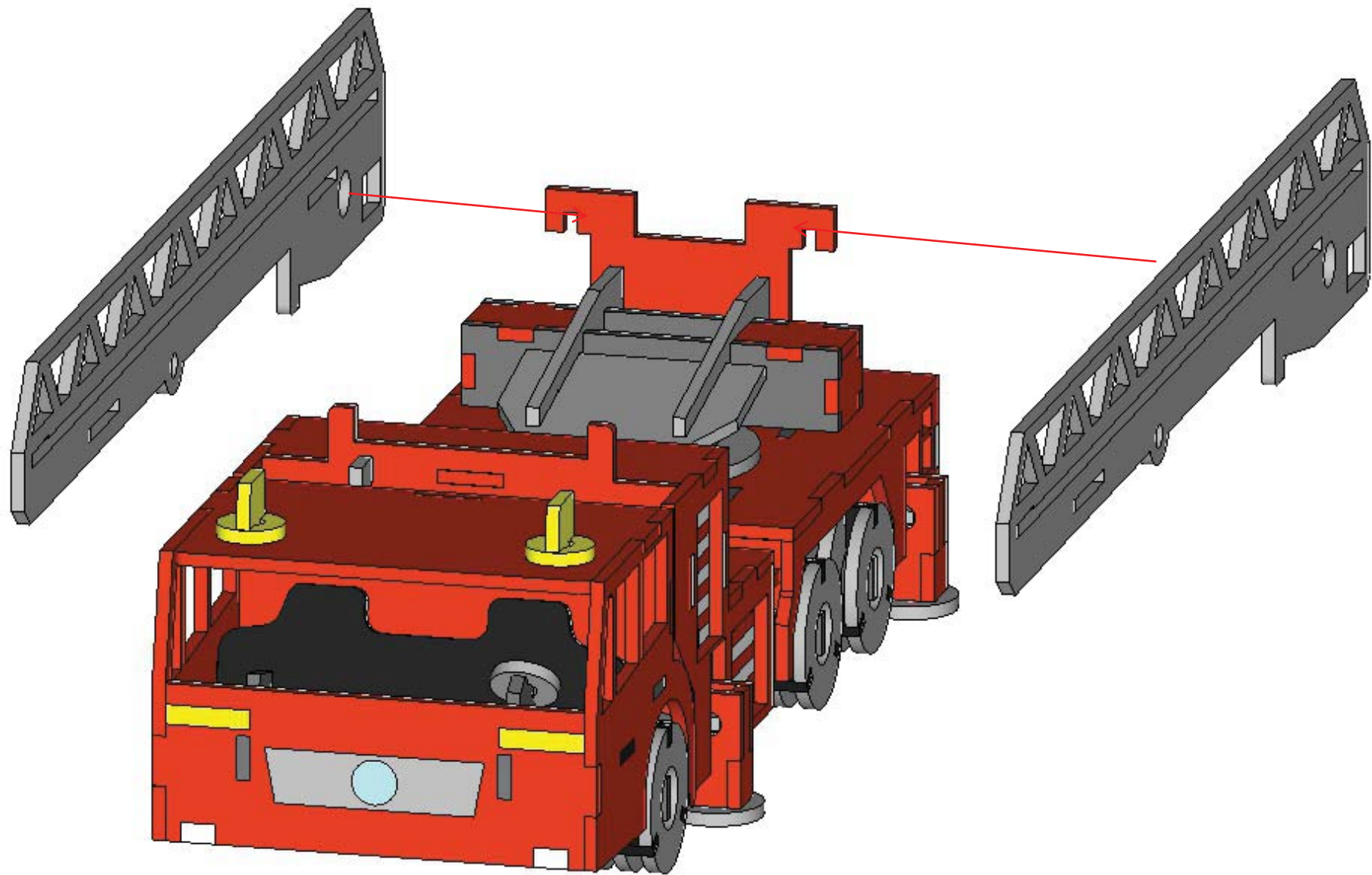
ASSEMBLY STEPS



ASSEMBLY STEPS

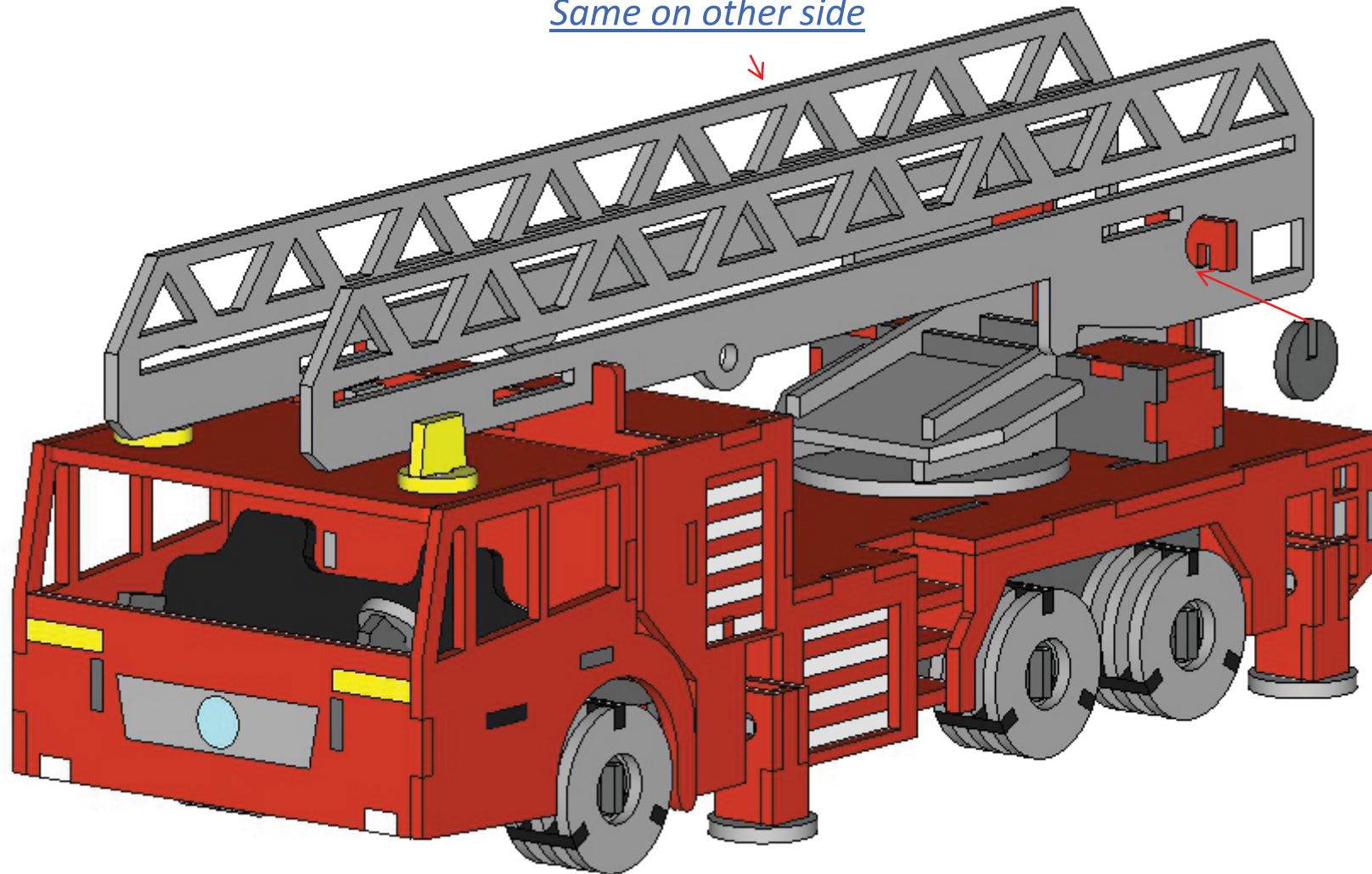


ASSEMBLY STEPS

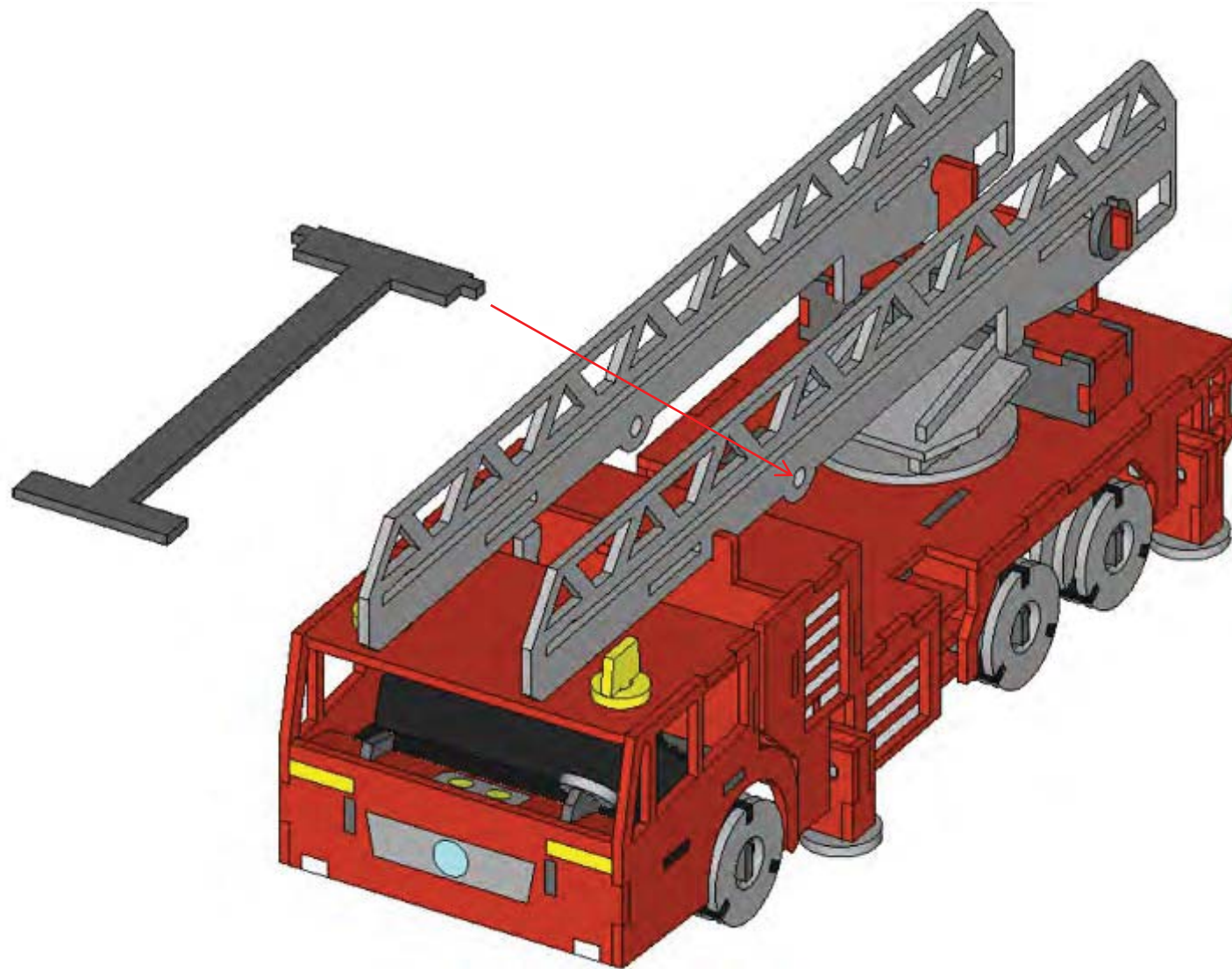


ASSEMBLY STEPS

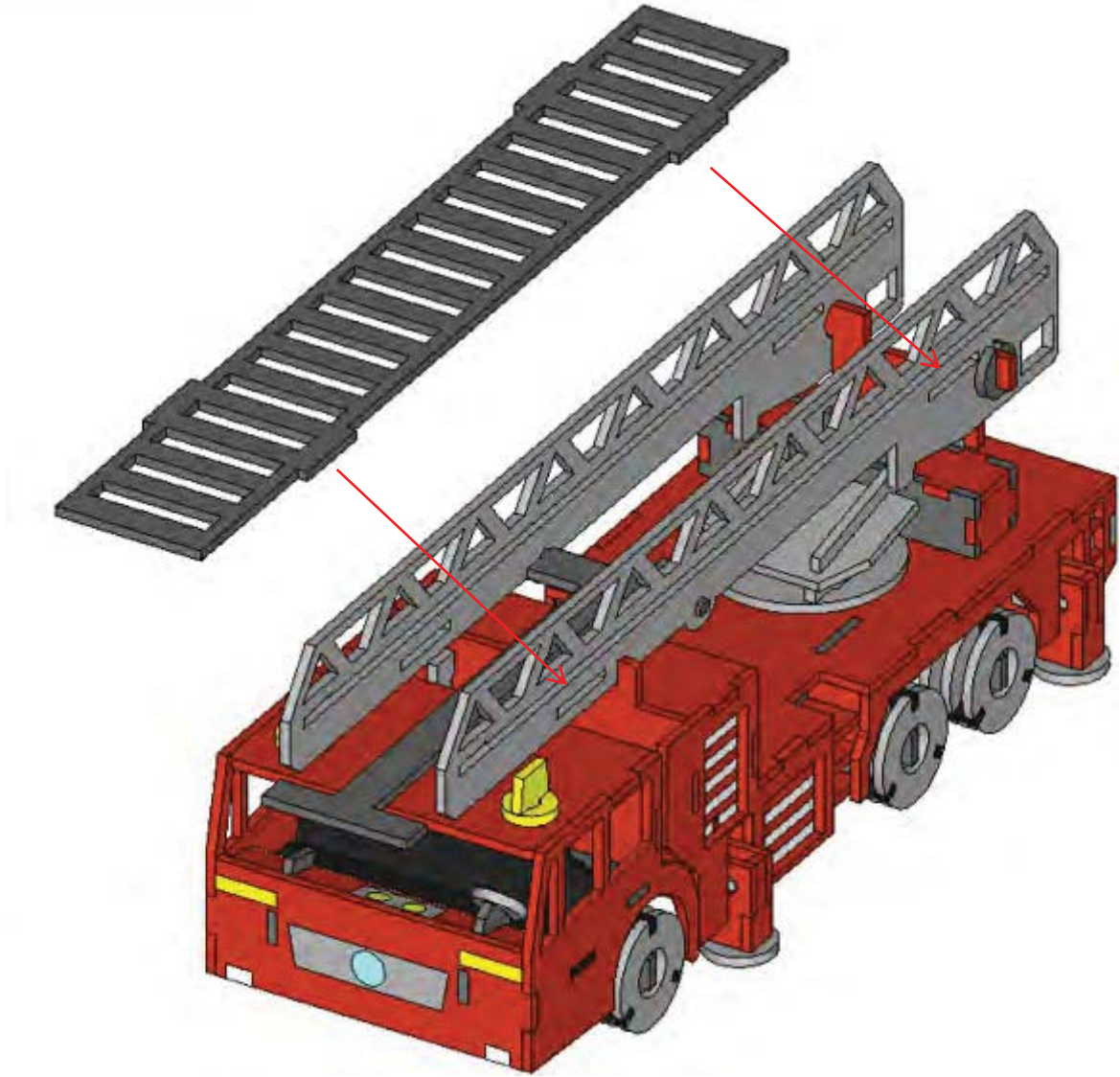
Same on other side



ASSEMBLY STEPS



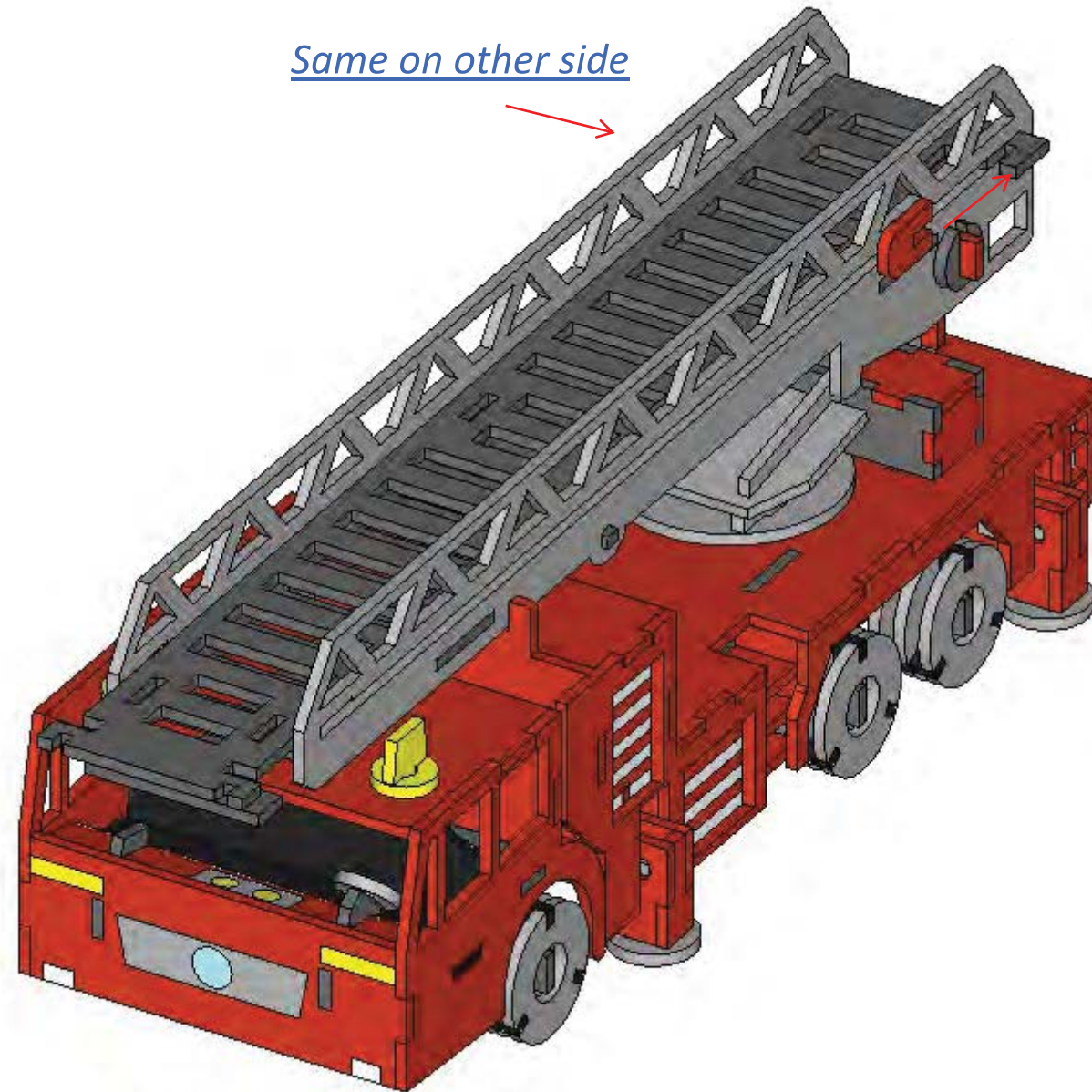
ASSEMBLY STEPS



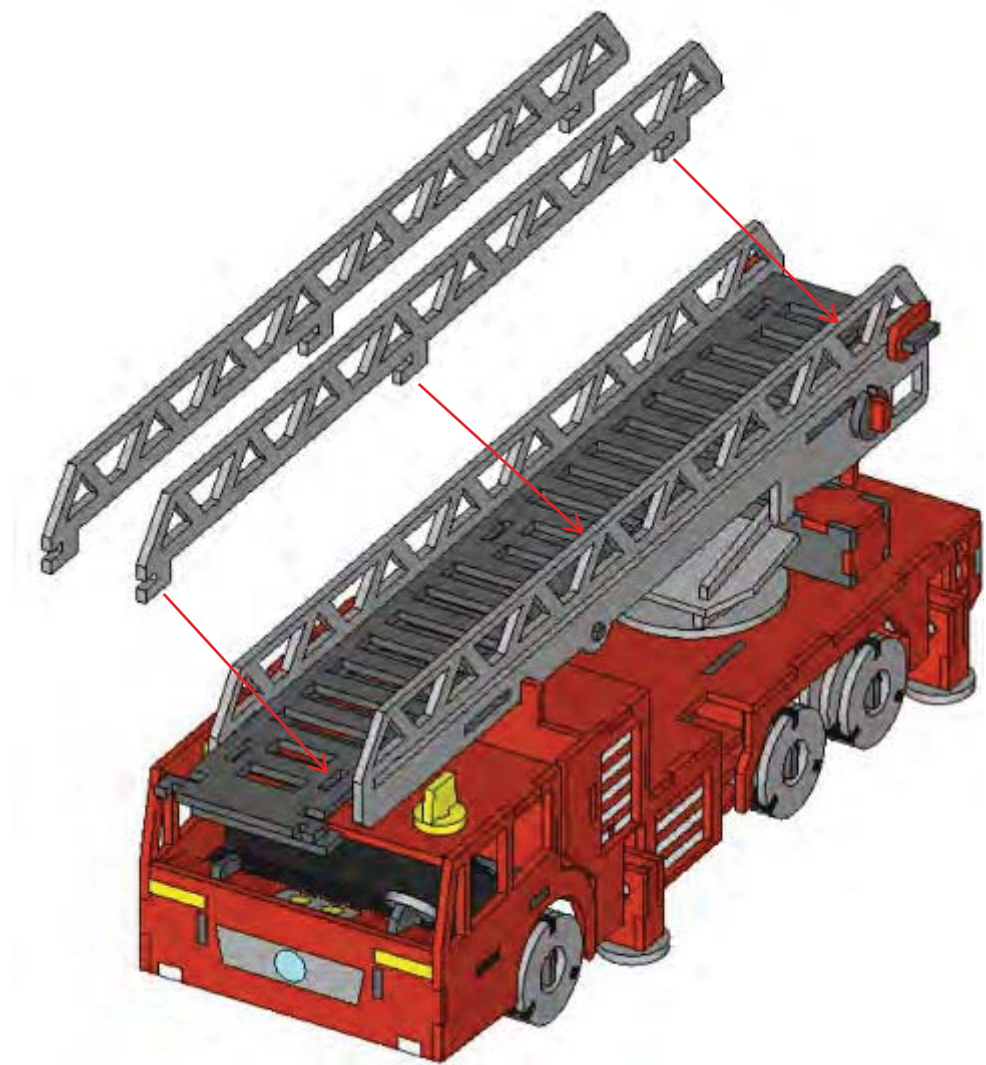
ASSEMBLY STEPS



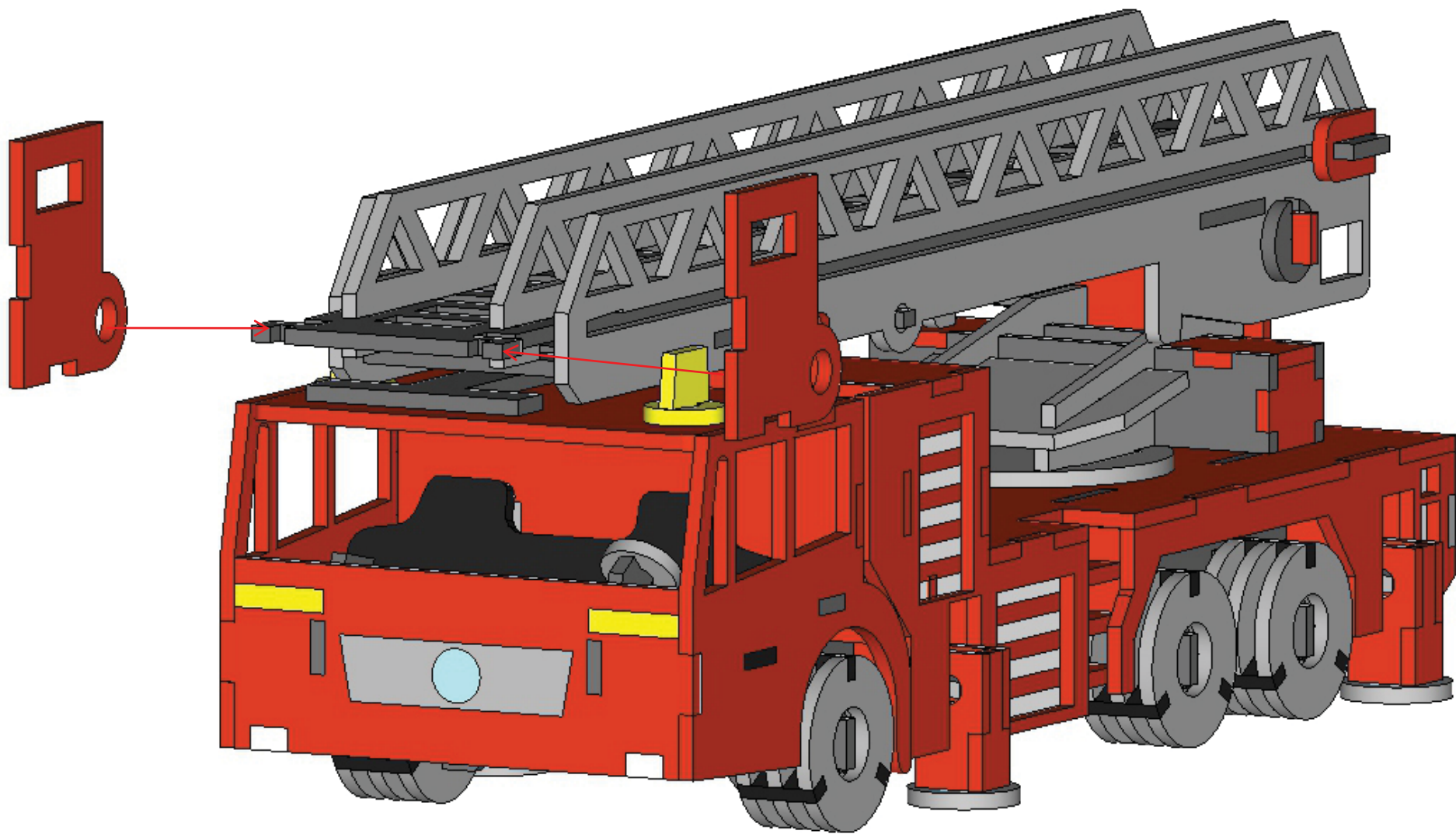
ASSEMBLY STEPS



ASSEMBLY STEPS

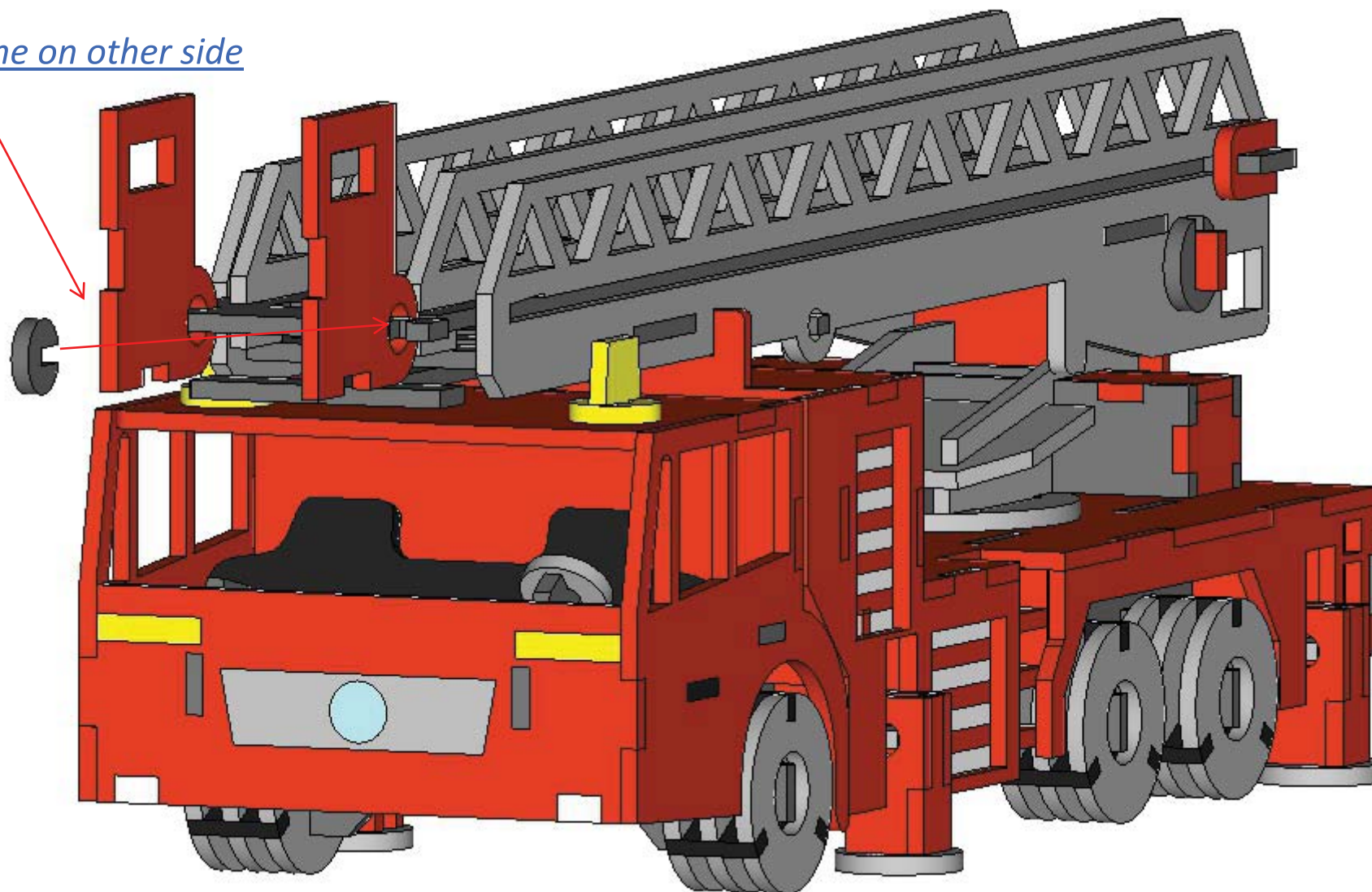


ASSEMBLY STEPS

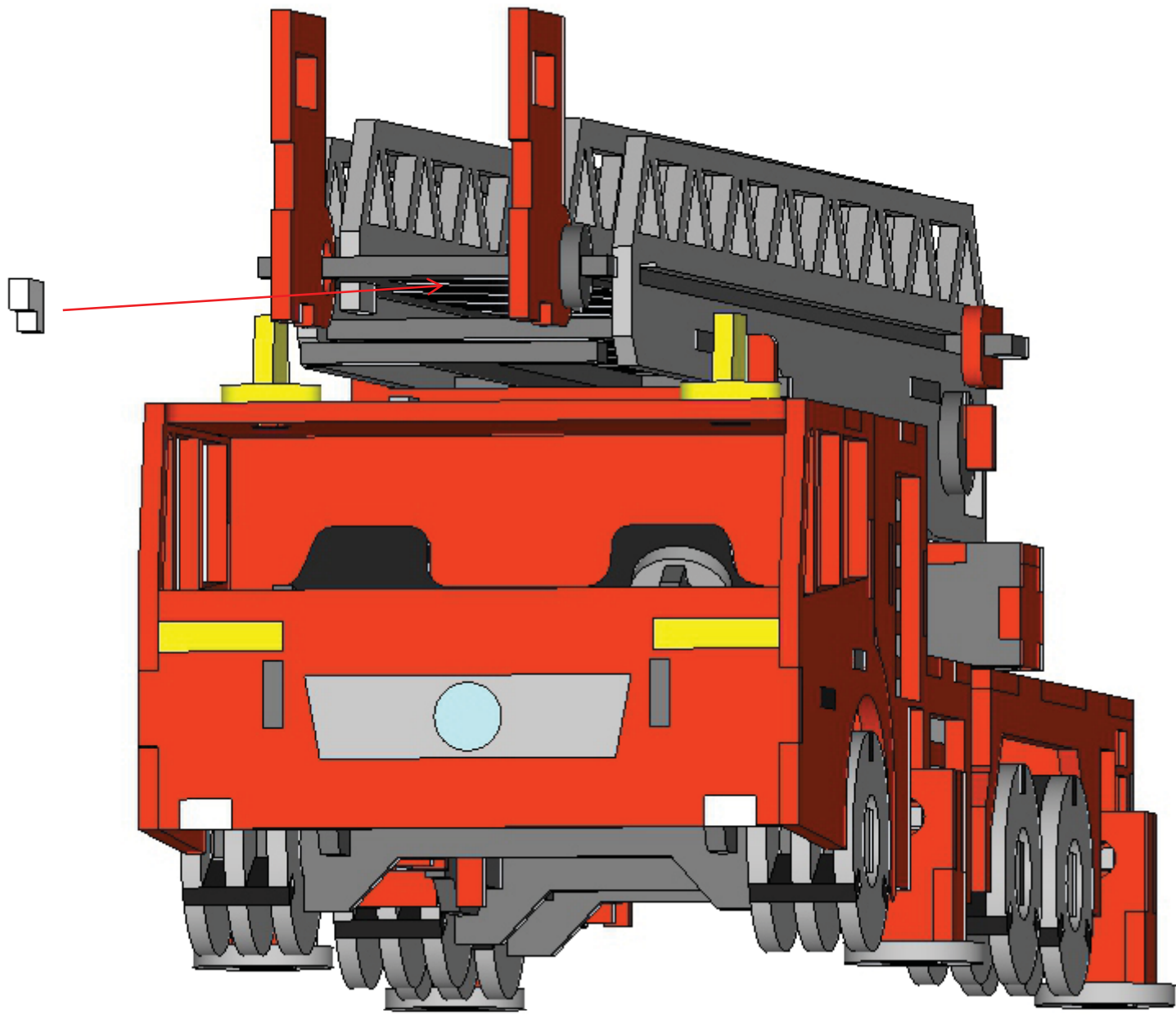


ASSEMBLY STEPS

Same on other side



ASSEMBLY STEPS



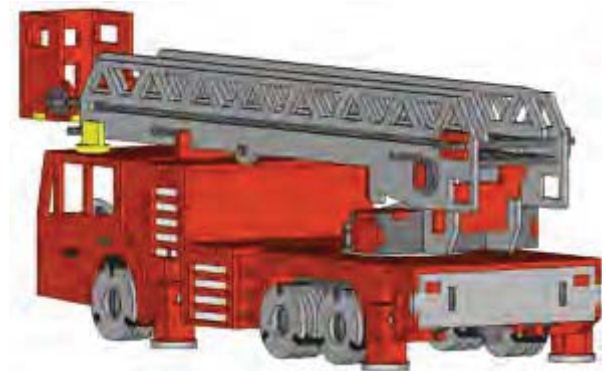
ASSEMBLY STEPS



ASSEMBLY STEPS



ASSEMBLY STEPS



FINISHED